



**82-70 PINSPOTTER
PARTS**

WHEN YOU BUY GENUINE AMF 82-70 PARTS, YOU CAN BE 100% CERTAIN ABOUT EVERYTHING.

Choosing Genuine AMF 82-70 replacement parts is choosing certainty over uncertainty.

- You can be certain we manufacture 82-70 parts to original OEM quality
 - Genuine AMF parts are always compatible and always durable.
- You can be certain we have every 82-70 part you might need
 - And that we'll have the part every time.
- You can be certain we'll fill your order – With a fill rate of 98%, we're the industry leader.
- With our 100% money back guarantee, you can be certain of satisfaction
 - We stand behind our parts – and you.

TABLE OF CONTENTS

FRONT END

Bin Assembly	6
Cable & Wire Assemblies	8
C-1 Cable Assembly	9
C-2A Harness Assembly	10
Cell Assembly Respot	12
Front End Drive Assembly	14
Front End Electrical Installation Lh	16
Front End Electrical Installation Rh	18
MP Chassis Assembly	20
Respot Cell Number 7 Assembly	22
Shuttle Assembly	24
Shuttle Operator & Solenoid Assembly	25
Solid State Chassis	26
Spot & Respot Link Assembly	28
Spot & Respot Tie Rod Installation	29
Counter Balance Spring Eye Repair Kit	30
Sweep & Table Cam Switch Assembly	31
Sweep Assembly	32
Sweep Bar Mounting Assembly	33
Switch Assembly Table Assembly	34
Table Assembly	36
Table Drive Assembly	38
Table Torque Tube Assembly	40
Table Torque Tube Assembly – Old	41
Table Wireway Assembly	42

BACK END

Backend Assembly Parts	46
Backend Control Box	47
Bounce Plate & Roller Assemblies	48
Carpet Belts	49
Cushion, Shock Absorber & Curtain Support Assemblies	50
Kickback Assembly Ball Door Side	52

Kickback Assembly Opposite Side	53
Motor Bracket Assembly	54
Pin Elevator Assembly	55
Rear Roller Repair Kit	56
Velcro Cushion Cover	57
Yoke And Spotting Cup Assembly	58
Wire Harness Sweep Cam Switch & Table Cam Switch	60

DISTRIBUTOR

Distributor Assembly	62
Distributor Belts	66
Distributor Drive Shaft Assembly & Clutch Assembly	67
Rough Top Belt Skiver	68

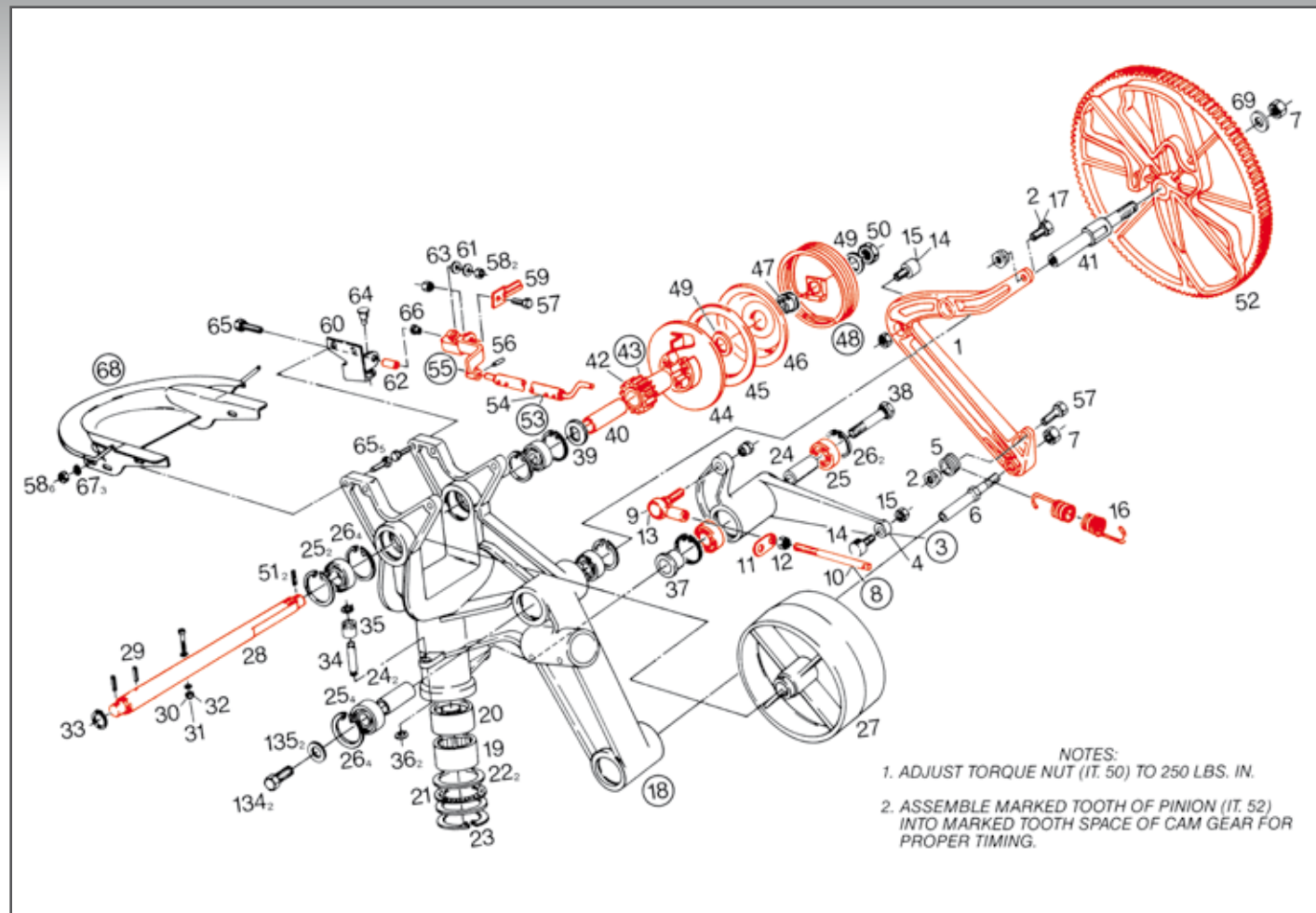
BALL RETURN

Adjustable Speed Rudder Drive Sheave	70
Adjustable Speed Sheave	71
Ball Lift Assembly	72
Ball Lift Pressure Kit	74
Belt Tensioner Assy – Old Version	75
Belt Tightener Assembly	76
Gripper Kit & Gripper Replacement Parts	77
Kicker Ball Lift	78
Kicker Rollers	80
Pbl Tensioner Assembly New Version	81
Light Ball Sensor Assembly	82
Positive Ball Lift	84
Ratchet Assembly	86
Spring Loaded Drive Link Assembly & Pbl Plus Conversion Kit	88

Obsolete Cross Reference List	89
Repair Exchange Program	109
Parts Index	113



DISTRIBUTOR



DISTRIBUTOR ASSEMBLY

ITEM	PART NUMBER	DESCRIPTION	ITEM	PART NUMBER	DESCRIPTION
1	070006051	Arm-Distributor	38	070006048	Bolt-Special
2	000022173	Nut-Special	39	070007376BG	Wshr-Thrust (Bag 5)
3	070007119	Drive Arm Assembly	40	070006676	Sleeve-Dist.Drive
4	070006052	Drive Arm	41	070006061	Shaft-Cam Supt-Dist.
5	070006111	Sleeve-Spring Post	42	070006679	Bearing Sl. .752 X .877 X 1.66
6	070006049	Shaft-Arm-Dist.	43	610704005	Pinion & Sleeve Assembly
7	844073002BG	Nut-Str-Lk 1/2-13 (Bag 10)	44	610704006	Clutch Plate Assembly Kit
8	090005262	Rod Link Asy	45	070009890	Simpl8270*Clutchassy
9	070006066	Rod End-Female-Dist.	46	070009890	Simpl8270*Clutchassy
10	070006067	Rod-Safety Link-Dist.	47	070009890	Simpl8270*Clutchassy
11	070006068	Support-Spring-Dist.	48	070009890	Simpl8270*Clutchassy
12	831565002BG	Nut-Hex 3/8-16 Cd (Bag 10)	49	070006121BG	Wshr-Dist.Clutch (Bag 10)
13	070006069	Nut-Special-Dist.	50	835582002	5/8-18 Unf Hex Thin Nut- Plttd
14	070006071	Cam Follower-Dist.	51	913437140BG	Pin-Sprmg.187 X 7/8 (Bag 10)
15	844050002BG	Nut (Bag 10)	52	070006149	Cam-Index-Dist.
16	070006034	Spring-Linear-Dist.	53	090006668	Trip Stop Rod And Support Casting Assy
17	809849100BG	Scr-Hx 1/4-20X5/8 (Bag 10)	54	090006663	Trip Stop Rod Assy
18	070006136	Casting & Bearing As	55	090006665	Cstg-Trip Supt-Dist Slot No Bearing
19	070006076	Bearing-Needle Open End	55A	070006667	Trip Casting With Bearing
20	070006075	Bearing Nd Clsd End 1 "Lg"	56	913415090BG	Pin Sprmg.094X9/16 (Bag 10)
21	070006074	Bearing-Needle Thrust	57	809849125	Screw-Hex 1/4-20 X 3/4
22	070006073	Washer-Thrust	58	844049002BG	Nut-Str-Lk 1/4-20 (Bag 10)
23	919004200BG	Ring-Ret. 5008-212 (Bag 10)	59	070006691	Stop Blades Trp Arm
24	070006064	Spacer-Bearing-Dist.	60	070006084	Brkt-Trip Stop
25	000024679	Bearing Bl. .625 X 1.375	61	000026865BG	Washer (Bag 10)
26	919006000BG	Ring-Ret. 5100-137 (Bag 10)	62	070006685	Pivot-Trip Assembly
27	070006666	Pulley-Dist.Belt Dr	62A	070006087	Sleeve-Pivot-Trip
28	070006077	Shaft-Drive-Dist.	63	070007651BG	Washer-Nylon-Dist (Bag 10)
29	914037206BG	Spirol Pin 3/16X11/4 (Bag 10)	64	070006142BG	Bumper (Bag 10)
30	810239240BG	Scr-Soc 10-24X1 1/2 (Bag 10)	65	809849205BG	Scr-Hx 1/4-20X1 1/4 (Bag 10)
31	840039002BG	Nut-Flx-Tn *10-24 (Bag 10)	66	701712097	Bearing Sp .375 X .628 Oi
32	948745082BG	Wshr- 7/32X1/2X1/16 (Bag 10)	67	948753102BG	Washer 9/32 X 5/8X1/16 (Bag 10)
33	919005600BG	Ring-Ret. 5100-62 (Bag 10)	68	090003077	Orientor Pan Assembly Dist.
34	070006082	Pin-Spring Post-Dist	69	948975172BG	Wshr-17/32X1 1/16 (Bag 10)
35	000026081	Sleeve-Spring Post	134	809857080BG	Scr-Hx 5/16-18X1/2 (Bag 10)
36	919005300BG	Ring-Ret. 5100-37 (Bag 10)	135	948761112BG	Washer 11/32X11/16X1/16 (Bag 10)
37	070006065	Clamp-Race-Dist.			

PINION & SLEEVE LUBE



Product Code **715010205**

- Features:
- Extends the service interval of clutch parts
 - Stays where you put it and does not run
 - Simply apply a thin film on shaft, sleeve pinion bushing, washer with flats and stop blades

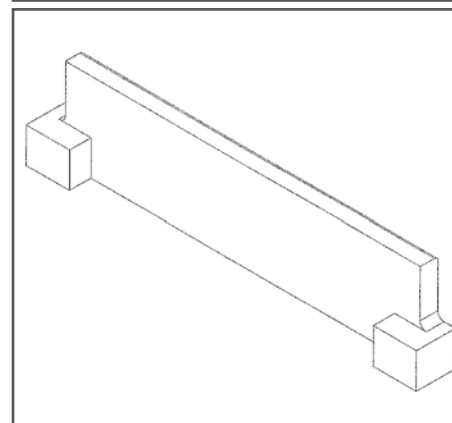
ORIENTOR PAN COVER



Product Code **070011910**

- Features:
- Cleans pins as they transfer from elevator
 - Slow down pins that roll onto distributor too fast thus eliminating many pile-ups
 - Tool-free installation that install in seconds
 - Machine wash and dry

BELT GUIDE



Product Code **070006201**

- Features:
- Raises the belt where the pin transfers from the O-pan to the belt
 - Eliminates most calls related to pin spacing & transfer
 - Quick, tool-free installation
 - Perfect for most low-profile belts

CLUTCH KIT



Product Code **612700001**

- Features:
- Everything you need to build a fresh, new clutch
 - Includes all 10 items in clutch
 - Priced right

TRIP ROD & CAST ASSEMBLY

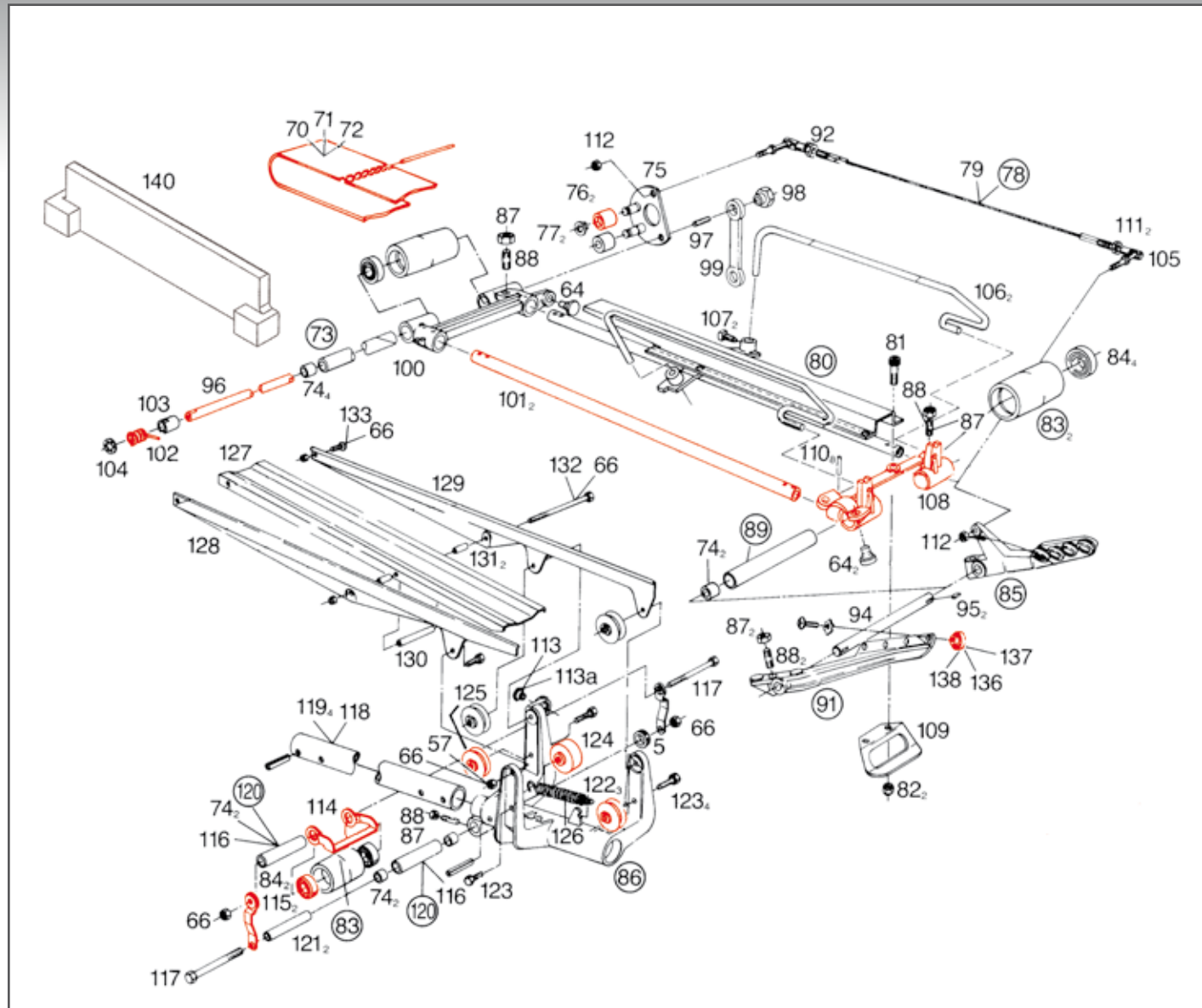
- Features:
- Slot and bolt connection
 - 0.5" solid steel rod
 - Added weight helps release stop blade easier
 - Allows better clutch adjustment

Product Code **090006668**

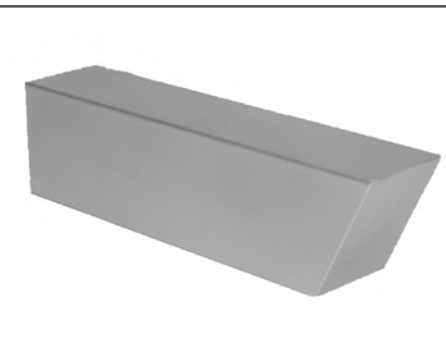
CLUTCH REPAIR KIT

- Features:
- New Backing Plate and Trip Blade
 - Both wear items in a convenient Kit
 - Made to AMF's exact specifications

Product Code **610704006**



CARL KLAUCK DISTRIBUTOR TOOL



Product Code **00020000**

Features:

- Allows easy relief of belt tension without removing spring

SPECIAL TOOLS - DISTRIBUTOR

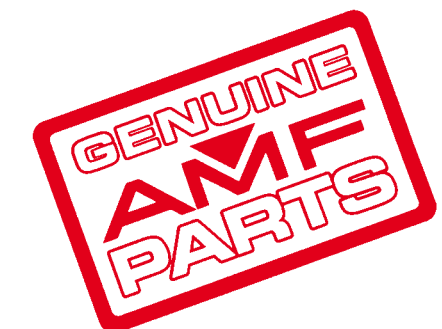
PART NUMBER	DESCRIPTION
792505005	Spring Puller
088001216	Frame/Sweep/Dist Gauge
000020000	Carl Klauck Distributor Tool
030003542	Clipper Belt Lacer
792516021	Rough Top Belt Skiver
792517037	Torpedo Level

DISTRIBUTOR ASSEMBLY

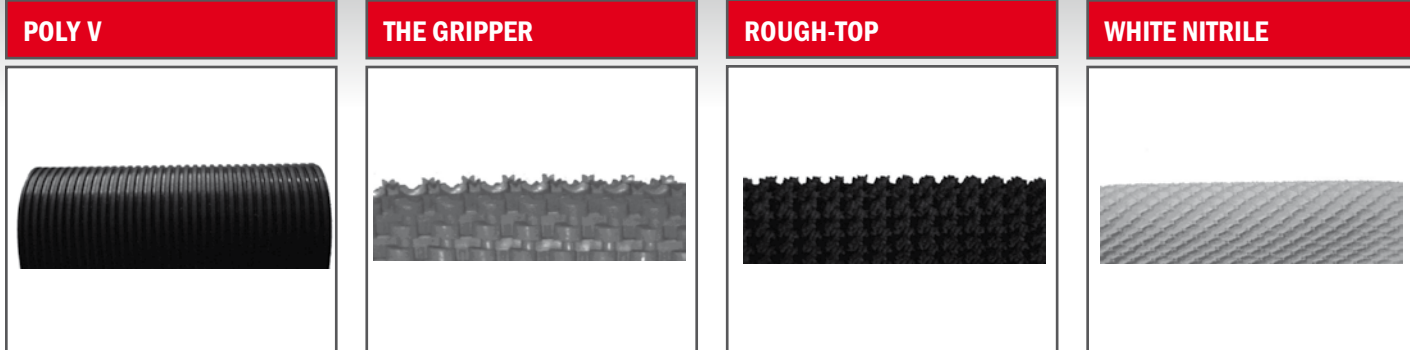
ITEM	PART NUMBER	DESCRIPTION
5	070006111	Sleeve-Spring Post
57	809849125	Screw-Hex 1/4-20 X 3/4
64	070006142BG	Bumper
66	844049002BG	Nut-Stvr-Lk 1/4-20 (Bag 10)
70*	070006757	82/70 Dist Belt Black Rough Top
70A*	610709811	82/70 Dist Belt Black Rough Top (For 3 Belts)
70B*	610709812	82/70 Dist Belt White Nitrile (For 3 Belts)
70C*	070006152	82/70 Dist Belt White Nitrile
70D*	070011905	Grey Gripper (3 Belt Roll)
70E*	070011909	Poly V Dist Belt
71	070006036BG	Lacing-Dist. Belt
72	070006037BG	Pin-Dist.Belt
73	070006683	Tube Assembly-Midle-Carag
73A	070006022	Tube Assembly-Middle-Dist
74	900106081BG	Brg SI .378X.503X1/2 (Bag 5)
75	070006661	Trip Rocker Arm Weld
75A	070006659	SHAFT CARRIAGE ASY.
	807249160	SCR-STSO 1/4-20 X 1 CP
	000022173	NUT-SPECIAL
76	070001857BG	Roller-Nylon (Bag 2)
77	919005000BG	Ring-Ret. 5100-25 (Bag 10)
78	070011170	Trip Cable Assy
79	070011171	Cable Assy
80	070006009	Support-Belt Run.Assembly
81	810239160BG	Scr-Soc 10-24X1 (Bag 10)
82	840039002BG	Nut-Flx-Tn *10-24 (Bag 10)
83	070006011	Pulley Assembly-Dist.
84	000024679	Bearing Bl .625 X 1.375
85	070006015	Trip Arm Assembly R H (10 Side)
86	070006688	Support-Carriage Assembly
87	070006116	Stud-Clamp
88	834549002	1/4-20 Steel Hex Nut, Pltd
89	070006021	Tube Assembly-Front-Dist.
91	070006016	Trip Arm Assembly L H (7 Side)
92	070011172	Ball Joint 7/16
94	070006014	Shaft-Distributor
95	907000100BG	Key-Hy Pro* 403 (Bag 10)
96	070006659	Shaft-Carriage Assembly
97	807249160BG	Scr-Stso 1/4-20X1 Cp (Bag 10)
98	000022173	Nut-Special
99	070006029	Link-Connecting-Dist

ITEM	PART NUMBER	DESCRIPTION
100	070006672	Carriage Cstg
101	070006004	Tube-Distributor
102	070006035	Spring-Dist.Carriage
103	070006019	Collar-Spring-Dist.
104	919006800BG	Ring-Ret. 5115-37 (Bag 10)
105	070011173	Ball Joint 9/16
106	070006013	Guide-Pin-Dist.
107	806249060BG	Scr-Stsqhd1/4-20X3/8 (Bag 10)
108	070006055	Carriage-Front-Dist.
109	070006137	Guard-Belt-Dist.
110	913437140BG	Pin-Sprng.187 X 7/8 (Bag 10)
111	835549002BG	Nut-Hx-Jam 1/4-20 (Bag 10)
112	840040002BG	Nut-Flx-Tn *10-32 (Bag 10)
113	701710098	Bearing Sp .313
113A	900206091Bg	Brg Fl.378X.503X9/16 (Bag5)
114	070006106	Brkt-Tracking-Dist
115	070006109	Link-Roler Assembly-Dist
116	070006107	Tube-Belt Tight-Dist
117	809849605BG	Scr-Hx 1/4-20X3 3/4 (Bag 10)
118	070006120	Carriage Supprt Tube
119	913464280BG	Pin-Sprng.375X 1 3/4 (Bag 10)
120	070006105	Tube Assembly-Dist.Carage
121	070006108	Spacer-Roler Ay-Dist
122	070006118	Bearing-Grvd.Eccent-Dist
123	809849165	1/4-20 X 1 Screw Hh Gr8 Blk
124	701849124	Bearing Bl 1/4 Thrd Bore
125	070006117	Bearing-Grvd.Concent-Dst
126	000026031	Spring
127	070006042	Runner-Belt-Rear
128	070006103	Support Guide Lh (7 Side)
129	070006103	Support Guide Rh
130	070006139	Spacer-Inner-Dist.
131	070006140	Spacer-Outer-Dist.
132	809849885BG	Scr-Hx 1/4-20X5 1/2 (Bag 10)
133	808549200BG	Scr-Sobt1/4-20X1 1/4 (Bag 10)
136	813540082BG	Screw 10-32X1/2Cd (Bag 10)
137	957100002BG	Washer Shockproof (Bag 10)
138	000026251BG	Brg Respot Cell 30 (Bag 10)
138A	000025281	Riveted Bearing- Respot Cell
139	610704032	Distributor Assembly
140	070006201	Belt Guide (Not Shown)

* Suggested Belt Length:
 Rough Top & Gripper Belts: 117" ± 1/2"
 Nitrile & Poly V Belts: 116" ± 1/4"
 Note: Roller must be steel bearing with AMF Scoring.



82-70 BELTS



This belt takes the hassle out of pins sliding on the distributor or piling up. The Poly V conveyor style tread pattern, low profile design, and tacky surface grabs even the slickest pins covered with today's high tech synthetic blend lane oils. Impervious to most lane oils and cleaners makes this an ideal belt for high lineage centers that apply a high volume of lane oil. Poly Vs are only sold individually and include stainless steel lacing and pins.

Poly V Belt
Product Code 070011909

QAMF's Gripper belt takes the hassle out of pins sliding on the distributor or piling up. The Gripper belt's aggressive tread pattern, low profile design and tacky surface grabs even the slickest pins covered in today's high tech synthetic-blend oils. The Gripper is an ideal belt for high lineage centers that apply a high volume of lane oil.

The Gripper Belt - Roll of 3 belts
Product Code 070011905

QAMF's popular Rough-Top belt is made of black PVC with a rough top design. This tread design provides a high coefficient of traction to minimize pin jams. The Rough-Top is ideal for high lineage centers using standard oils.

Rough Top Belt
Product Code 070006757

Rough Top Belt - Roll of 3 belts
Product Code 610709811

QAMF's standard white nitrile belt has been the standard for decades. The standard white is a 2-ply rubber belt with a grid surface. A great, low cost belt for low lineage centers using lower volume of lane oil.

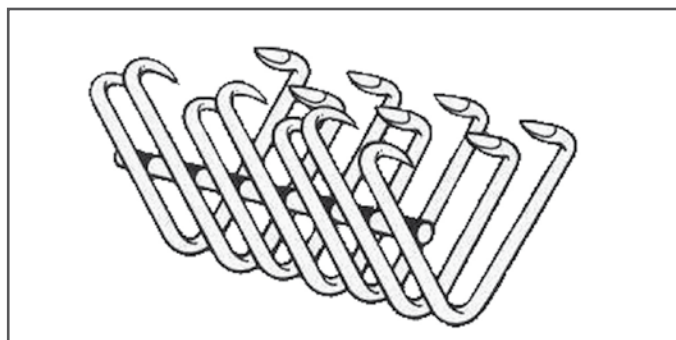
White Nitrile Belt
Product Code 070006152

White Nitrile Belt - Roll of 3 belts
Product Code 610709812

82-30 BELTS

POLY V BELT	WHITE NITRILE BELT	WHITE NITRILE BELT-ROLL OF 3 BELTS	GRIPPER BELT (OBS)
Product Code 030006789	Product Code 030005677	Product Code 610309070	Product Code 030005678

UNIBAR BELT LACING & PIN

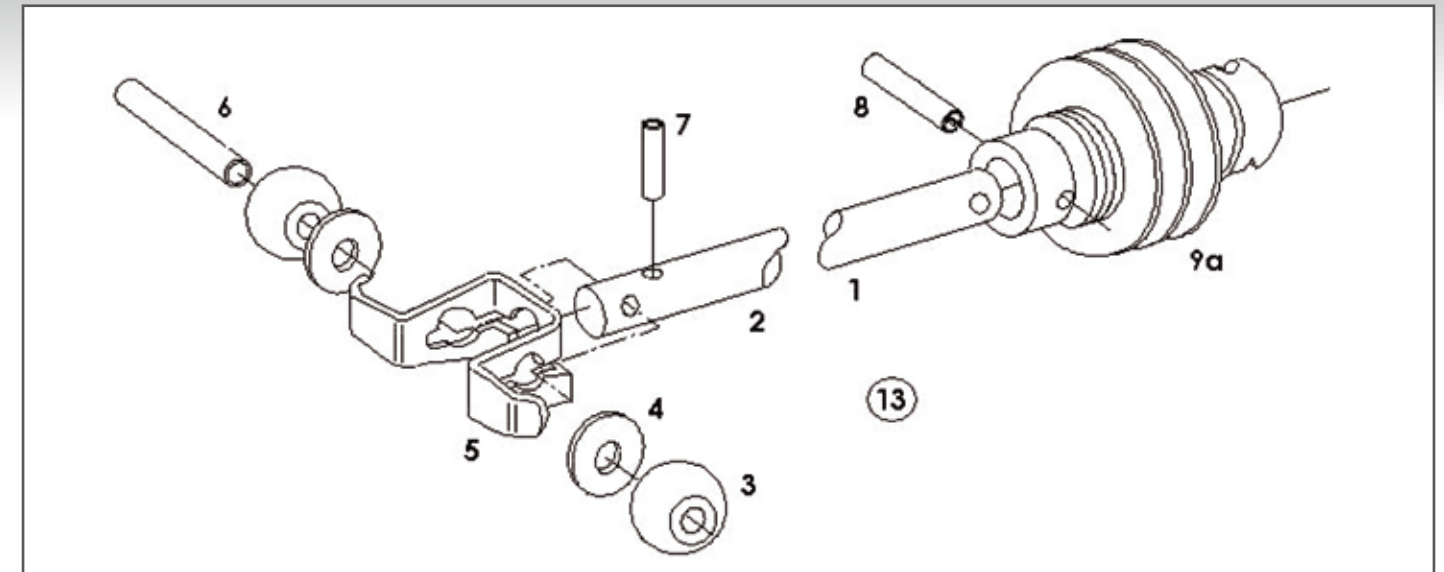


This is QAMF's "High Performance" option for mechanics who are tired of distributor belt lacing issues.

The lacing is 100% Stainless Steel to prevent corrosion. The puncture points are longer, to bite through the entire belt and use as much of the belt's thickness as possible to prevent pull-out. A "unibar" attaches across every hook to make them all act as a team, lock them into position, and ensure excellent belt tracking. With bulk packaging, it reduces cost. This is a universal replacement that works in your belt lacing tool. So good, we equip every Poly-V Distributor Belt with it - for brand-new XLI's back to the earliest 82/30. Twelve 12" sections, includes pins and instructions.

Product Code 070011912
030003542Clip Belt Lacer ADAP

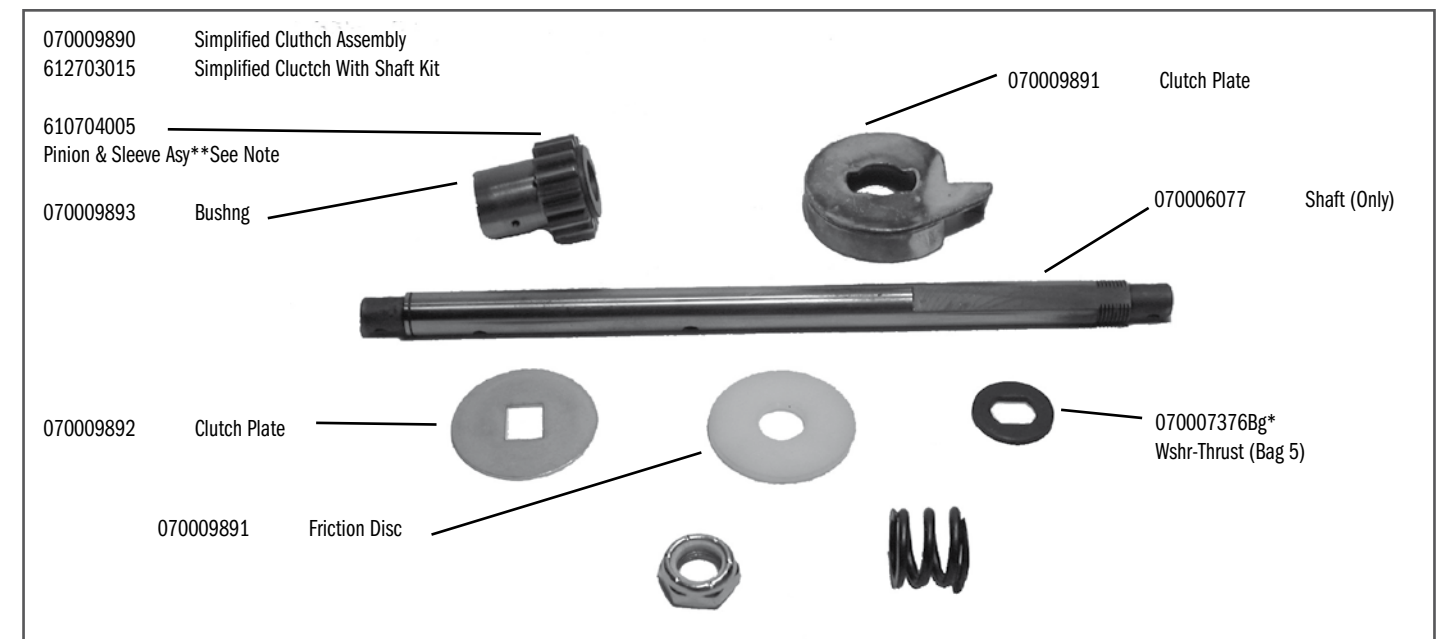
DISTRIBUTOR DRIVE SHAFT ASSEMBLY



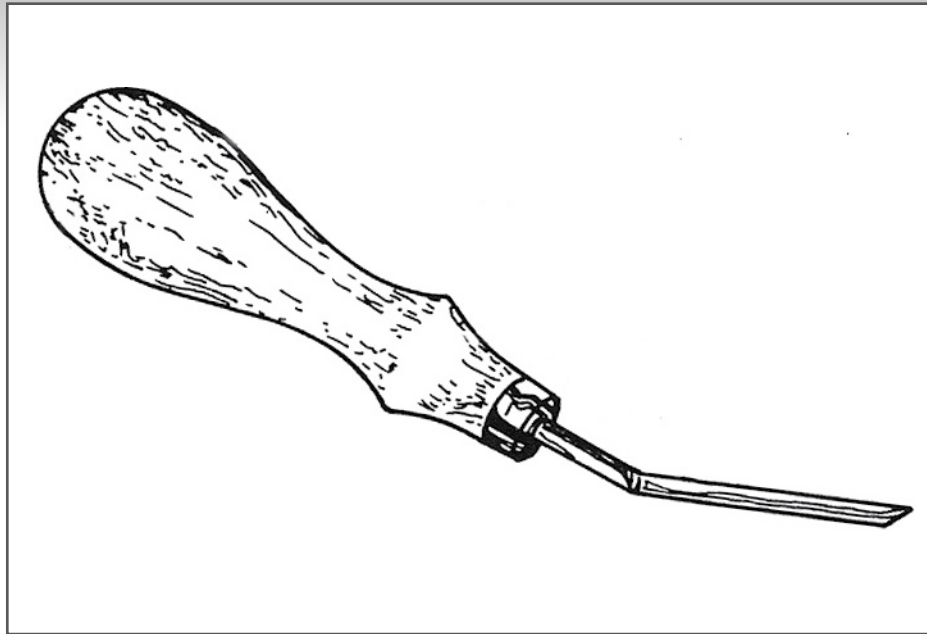
ITEM	PART NUMBER	DESCRIPTION
1	070006101	Drive Shaft-Rh (Odd)
2	000022369	Drive Shaft-Lh (Even)
3	000026461BG	Brg Uniball .25X.687 (Bag 2)
4	000029073BG	Washer (Bag 10)
5	000024892	Retainer-Ball
6	000022717	Pin-Drive Shaft
7	913423120BG	Pin-Sprng.125 X 3/4 (Bag 10)
8	913437120BG	Pin-Sprng.187 X 3/4 (Bag 10)

ITEM	PART NUMBER	DESCRIPTION
9	070007586	U Joint- Steel
9A	070007586	Universal Joint-Metal
10	000027390	Dist Drive Housing
10A	090001130	Dist Drive Housing 90/8800
11	807358060BG	Screw-Stso5/16-24X3/8K (Bag 10)
13	070006102	Drive Shaft Assembly-Rh 82/70 (Odd)
13A	000024893	Drive Shaft Assembly-Lh 82/70 (Even)

SIMPLIFIED CLUTCH ASSEMBLY



ROUGH TOP BELT SKIVER



- Skiving rough top and other raised surface belting is an important step in achieving maximum benefits/lift from belt splices. The rough top belt skiver removes raised surfaces, within seconds, leaving a smooth surface for selecting and installing belt fasteners.
- The rough top belt skiver is a safe and effective alternative to other methods of removing raised surfaces such as grinding wheels, razor blades or knives.
- Being a hand held tool, this job can be done virtually anywhere.

Product Code 792516021

EASY TO USE: Hold the skiver at a 30 degree angle and move across the belt; raised surface is zipped away.

SAFE ALTERNATIVE to grinding wheels, razor blades and knives for the removal of raised surface belting.

BLADE CAN BE RE-SHARPENED to restore the blade to the original sharpness.

PORTABLE: Belts can be skived at any location.

INSTRUCTIONS:

- 1** Place belt on solid surface and hold securely with free hand. Note: keep hand out of the path of the skiver
- 2** Hold skiver at approximately a 30-degree angle to the belt. (fig. 1) Slowly begin cutting into the belt surface just under the raised top.

- 3** Maintain an even pressure and move skiver across the belt. (fig.2) If held at proper angle, it will cut through the belt easily.
- 4** Skive rough top back on inch from each end to allow clearance for lacer jaws during lacing operation.

TO SHARPEN:

- 1** Place 1/4" fine stone or emery board in cutting channel. Draw away from tool.
- 2** After tool is sharp, draw stone across bottom to remove burrs.

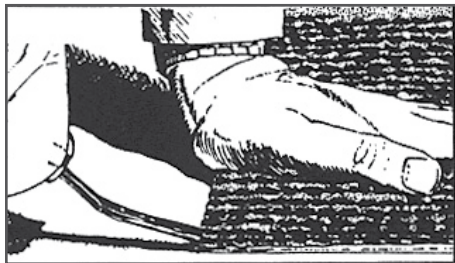


Fig. 1



Fig. 2

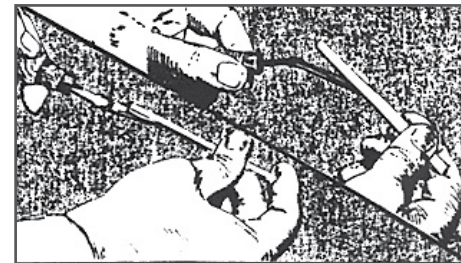


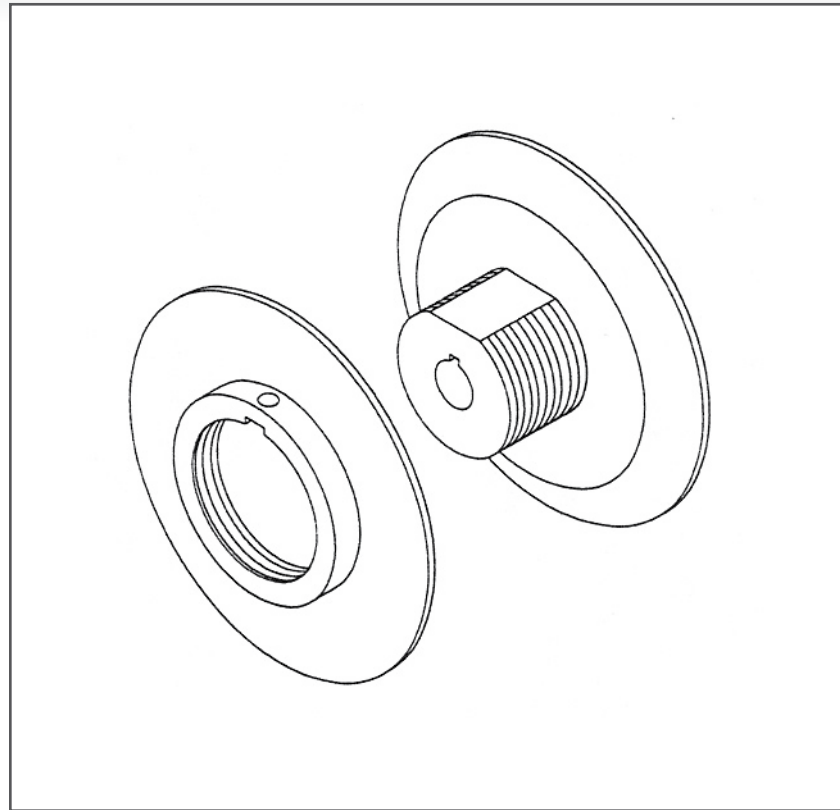
Fig. 3



BALL RETURN

ADJUSTABLE SPEED SHEAVE

Product Code 000024598



Problems with Pin Feed on Pinspotters:

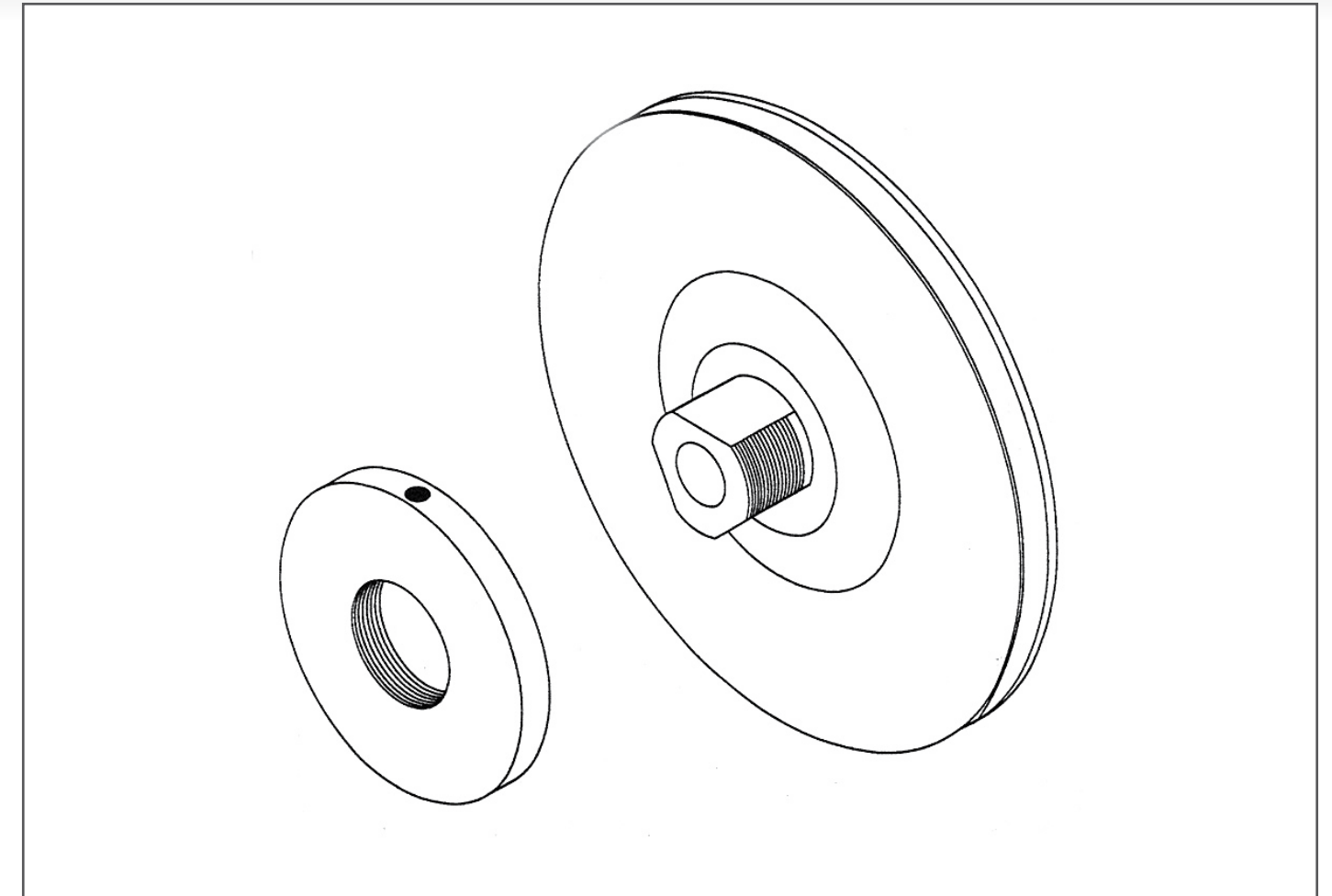
- Pins do not always slide perfectly on the orientor pan for many reasons including pin damage, grease, poor adjustment, etc.
- Older pins with scars and knicks do not slide well at all causing pin spacing to become close. This results in higher costs associated with replacing old pins with new ones to reduce machine calls and pin pile-ups.
- 82-70 distributor arm gets shorter feeding the 2, 4, & 7 pins while the distributor belt speed remains constant. This effect actually accelerates the pin to these locations making perfect spacing between the pins crucial to avoid pin jam.
- Tight or loose clutch adjustment, bent tubes, poor lubrication, and a wide variety of other adjustments inhibit the distributor's normal free range of motion and slow its movements from location to location.
- Even though the distributor may slip or wave, the belt speed remains constant and the pin is not going to wait.

Solution:

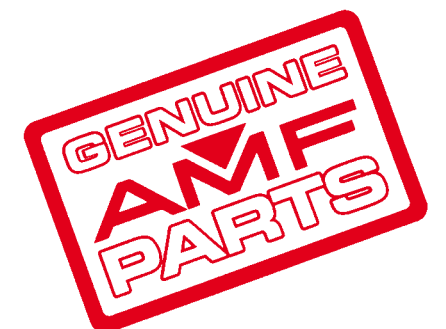
- Slow the speed of the pin wheel down to create more spacing between the pins on the distributor belt. This gives the distributor more room for error.
- The bigger the spacing the better chance of avoiding a pin jam.
- The adjustable sheave provides a potential reduction in speed of up to 17%.
- The adjustable speed sheave allows you to optimize the pin feed of the backend to the ability of the distributor.

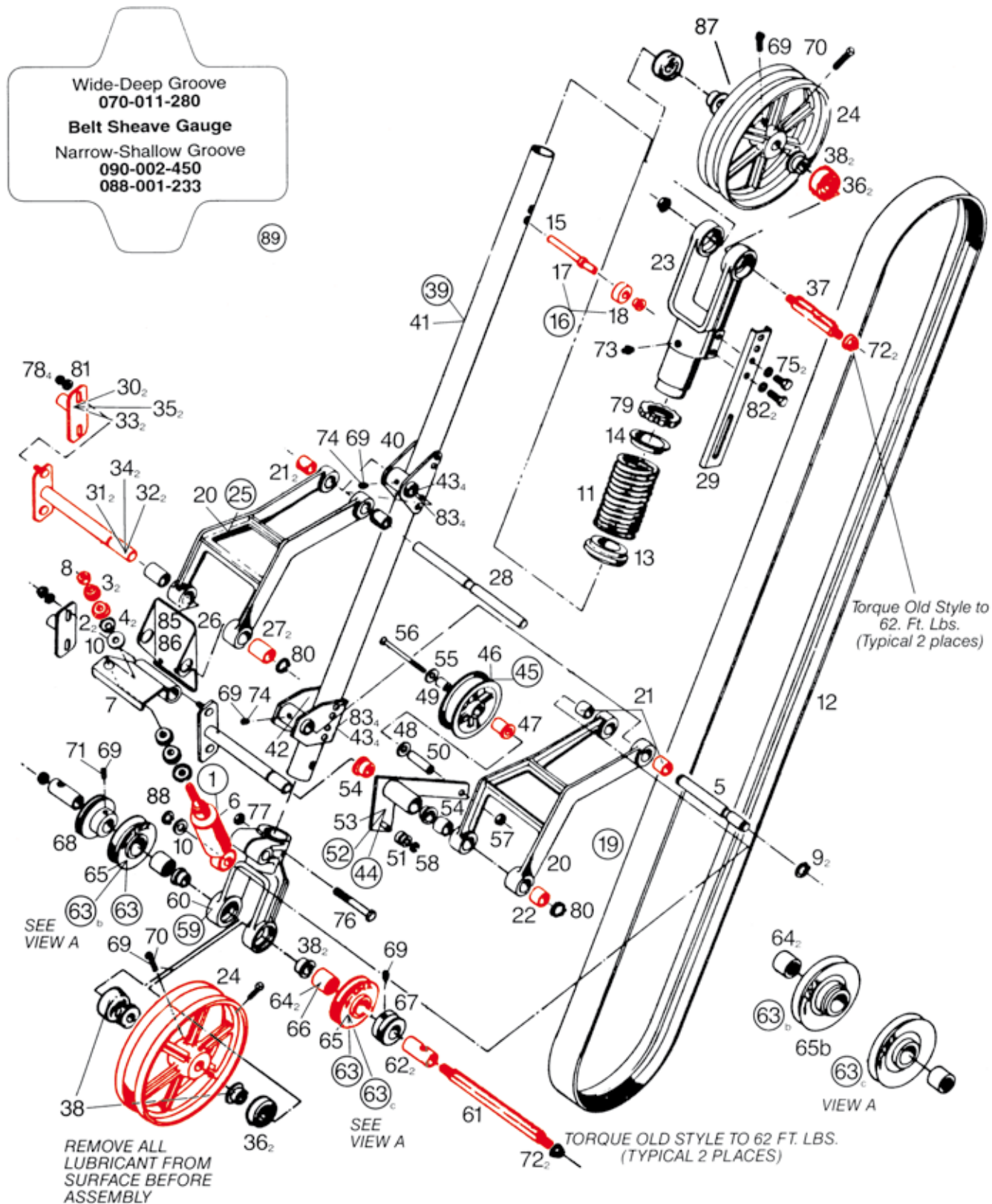
ADJUSTABLE SPEED RUDDER DRIVE SHEAVE

Product Code 000024599



- Slows paddle to optimum speed allowing light balls access to the lift.
- Adjustable sheave allows you to accommodate rudder drive speed to the ability of the pair of machines.
- Best when used with spring loaded drive link, AMF #000028540. This combination will give the best results in terms of adjustable strength and speed.
- Adjustable speed ratio range is from as fast as 2:1 and as slow as 4:1.
- For kicker style ball lifts and converted PBLs used with 82-70 machines only.



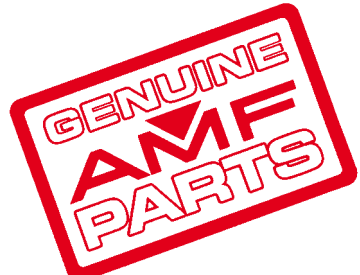


BALL LIFT ASSEMBLY

ITEM	PART NUMBER	DESCRIPTION
1	070011323	Shock Absorber Assembly
3	000027998	Retainer
4	000028057	Retainer Cush Guide
5	000029660	Shaft
6	000029661	Shock Absorber
7	070011289	Brkt-Shock Absorber
8	831566002BG	Nut-Hex 3/8-24 (Bag 10)
9	919005600BG	Ring-Ret. 5100-62 (Bag 10)
10	948983212BG	Wshr-21/32X1 5/16 (Bag 10)
11	000024603	Spring-Comp. Ball Lift
12	088001233	Ball Lift Belt-For Narrow
12A	088001233	Gripper Ball Lift Belt
12B	070011280	Liftbelt- For Wide Deep Groove
13	000024605	Retainer Lower
14	000024608	Retainer Upper
15	000024648	Pin Pivot
16	000024650	Roller Assembly
17	000024647	Roller
18	900206081BG	Brg Fl.378X.688X1/2 (Bag 5)
19	000024651	Link Assembly
20	000024651	Link Assembly
21	900110121BG	Brg Sl .628X3/4 Lg (Bag 5)
22	900112161BG	Brg Sl .753 X 1 (Bag 5)
23	070001995	Yoke Assembly-W/ Bearing Nut
24	000024661	Pulley
25	000024720	Link Assembly Upper
26	000024716	Spring Holder
27	900112203BG	Brg Sl.753X1x 1 1/4-Brnz (Bag 5)
28	000028737	Shaft
29	000029613	Rail
30*	070006320	Shaft Assy Adj 9 1/2" To 11" Spacing
31*	070006325	Shaft Assy Fixed 9 1/2" To 11" Spacing
32*	070006328	Shaft Assy Fixed 11" To 12 5/8" Spacing
33*	070006329	Shaft Assy Adj 11" To 12 5/8" Spacing
36A	070011797	Bearing Ball-D Bore
36B	610905704	Strt Bor Brng & Spcr Kit
37A	070011795	Shaft-Upper D
37B	610900711	Straight Shft&Spacer Kit Upper
37C	000024645	Upper Shaft
38	070006748	Spacer
39	070011004	Tube&Suppt Assembly
40	000024606	Support
41	000024607	Tube
42	070011002	Support
43	809849365BG	Scr-Hx 1/4-20X2 1/4 (Bag 10)
44	070011042	Belt Tightner
45	000021408	Idler Pulley Asm
46	000021408	Idler Pulley Asm

ITEM	PART NUMBER	DESCRIPTION
47	900208161Bg	Brg Fl .503 X .875 Bag(5)
48	070007192Bg	Wshr-Respot Cell Assy (Bag 10)
49	070008217	Spacer
50	070008218	Spacer
51	070011040Bg	Roller Ratchet Bag(10)
52	070011041	Belt Tight
53	070008215	Weld
54	900212161Bg	Brg Fl .753X1.003x1 Bag(5)
55	146005277	Washer
56	808849565Bg	Screw Fl Soc Hd Cap Bag (10)
57	839549002Bg	Nut-Flx-Tk 1/4-20 Ht (Bag 10)
58	919005200Bg	Ring-Ret. 5100-31 (Bag 10)
59	000024659	Yoke Lower
60	000024659	Yoke Lower
61A	070011796	Shaft-Lower D
61B	610900709	Straight Shft&Spcer Kit Lowr
62	090003401	Clutch Race-With Slot
63A**	070008205	Sheave Assembly Ball Lift
63B**	000024811	Pulley Assembly Rh 5" (Odd)
63C**	000024812	Pulley Assembly Lh 5" (Even)
64**	070007291	Bearing Cl.9995X1.312x1
65A**	070008204	Sheave 3 1/2"
65B**	000028771	Sheave 4 1/4"
66	700107170	Adhsve-Lkte 609
67	070008210	Sheave
68	070008211	Sheave
70	806265160BG	Scr-Stsq 3/8-16X1 Cp (Bag 10)
71	807265080	Scr-Stso3/8-16X1/2Cp (Bag 10)
72	856070002BG	Nut-Flanged 7/16-20 (Bag 10)
73	710501007	Fittng-Almte 1792B
74	807265060	3/8-3/16 X 3/8 Socket Set, Cup Pt
75	809865165BG	Screw 3/8-16X1 (Bag 10)
76	809865445BG	Scr-Hx 3/8-16X2 3/4 (Bag 10)
77	839665002BG	Nut-Flx 3/8-16 (Bag 10)
78	840057002BG	Nut-Flex Thin5/16-18 (Bag 10)
79	845100000BG	Nut-Lk-Brg N-10 (Bag 10)
80	919005800BG	Ring-Ret. 5100-75 (Bag 10)
81	948761112BG	Washer 11/32X11/16X1/16 (Bag 10)
82	951164002BG	Wshr-Lk-Split 3/8 (Bag 10)
83	839549002BG	Nut-Flx-Tk 1/4-20 Ht (Bag 10)
84	070008212	Spacer
85	612070013	Ball Lift Pressure Kit
86	070011832	Pressure Plt For Ball Lift
88	070008212	Spacer (Not Shown)
87	000027642	Washer
89	070011052	Ball Lift Assembly
Not Shown	950001008	Spacer
	000024645	Upper Shaft

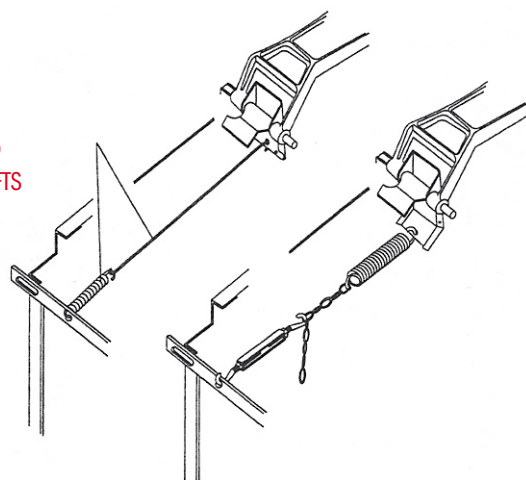
* 9-1/2"-241.30 MM, 11"-279.40 MM, 12-5/8"-320.68 MM, 14"-355.6 MM, 3-1/2"-88.9 MM, 4-1/4"-107.95 MM.
 ** Refer to view that matches your Ball Lift Assembly for item numbers.
 Adjustable Ball Lift Support Shafts (Items 30 thru 35) are provided to allow alignment of the Ball Lift to the track rails. Adjustment is required when the Shaft Supports on the metal Kickback Assemblies are not aligned.
 Alignment is achieved by turning plates on the Support Shaft Assemblies until the plates are parallel to the direction of offset. (See vies A).
 Note:Optional Replacement Kit for 070 011 796 is 610 900 708 - D Bore Shaft & Bearing Kit Lower (2 Bearings / 1 Shaft / 1 Spacer).
 Optional Replacement Kit for 070 011 795 is 610 900 714 - D Bore Shaft & Bearing Kit Upper (2 Bearings / 1 Shaft / 1 Spacer).
 Optional Replacement Kit for 070 011 797 is 610 905 703 - D Bore Bearing & Spacer Kit (1 Bearing / 1 Spacer).
 Direct Replacement for 070 006 746 is 610 900 709 - Straight Bore Shaft & Spacer Kit Lower (1 Shaft / 1 Spacer).
 Direct Replacement for 070 006 747 is 610 900 711 - Straight Bore Shaft & Spacer Kit Upper (1 Shaft / 1 Spacer).
 Direct Replacement for 070 006 699 is 610 905 704 - Straight Bore Bearing & Spacer Kit (1 Bearing / 1 Spacer).



BALL LIFT PRESSURE KIT

ORIGINAL BALL LIFT SYSTEMS

SPRING AND CONNECTING ROD ARE NOT FOUND ON KICKER LIFTS



Product Code **612070013**

- Can more than double the effective lifting force
- Allows for heavy lane oil conditions
- Overcomes poor lubrication
- Easily adjustable pressure
- Thicker plate eliminates problems with springs pulling out holes
- Belts and rails do not have to be cleaned to remove oil nearly as often, or maybe not at all

Original Style Kicker Ball Lift Systems:

Uses the weight of the ball lift (approx. 40 lbs.) to create frictional forces required to lift a ball against the forces of gravity.

Original PBL's:

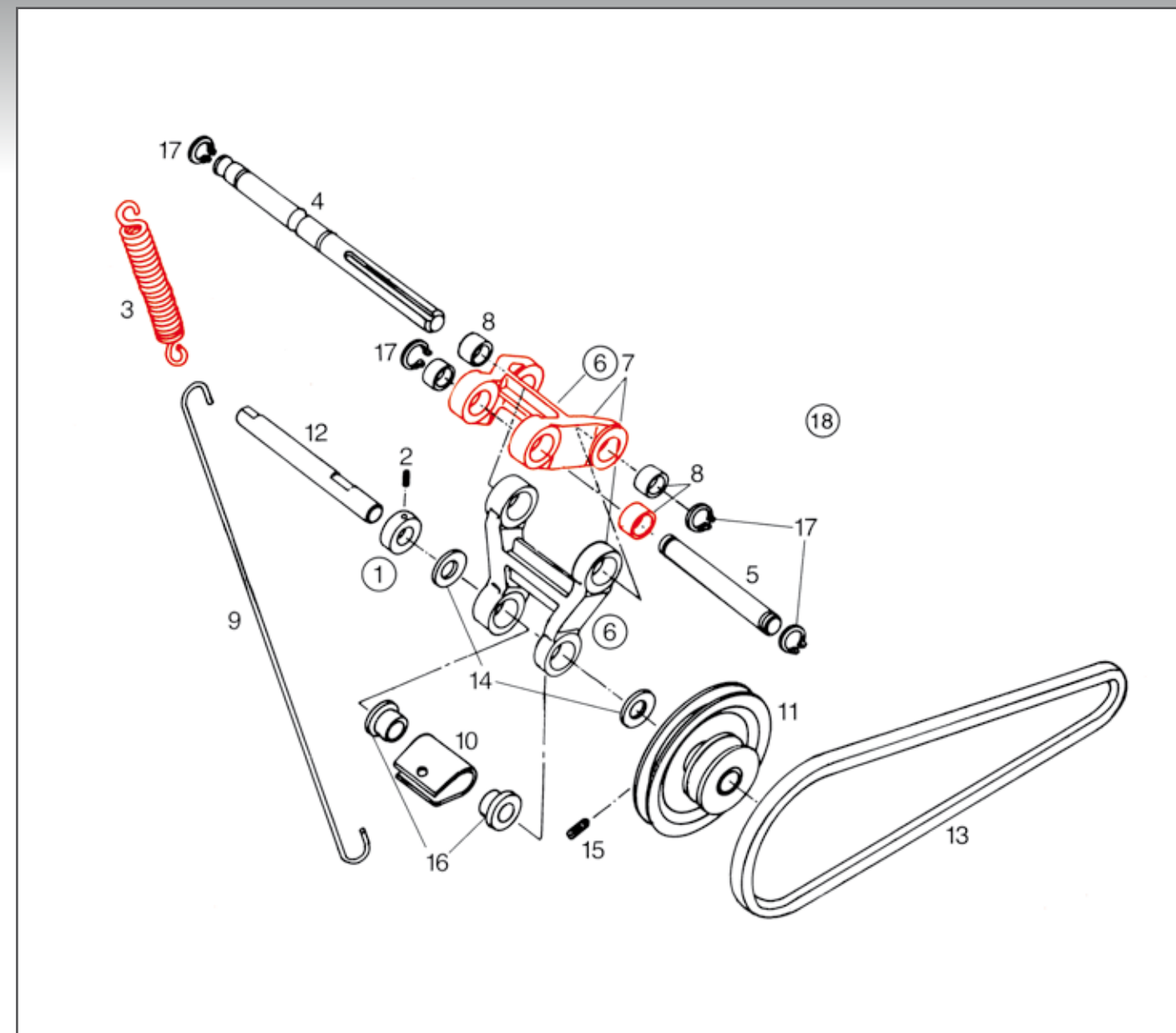
Uses the weight of the ball and an additional torque created by a small extension spring and connecting rod to increase effective forces by about 10%. These forces must again be large enough to squeeze the ball between the ball lift belt and the up rail covers and overcome gravity.

Problems Experienced Today with the Systems Above:

- Forces created by the weight and the frictional coefficient of the rubber belt and up rails must be larger than the weight of the ball, or the ball will not be lifted.

To lift a ball, the following condition must be met:

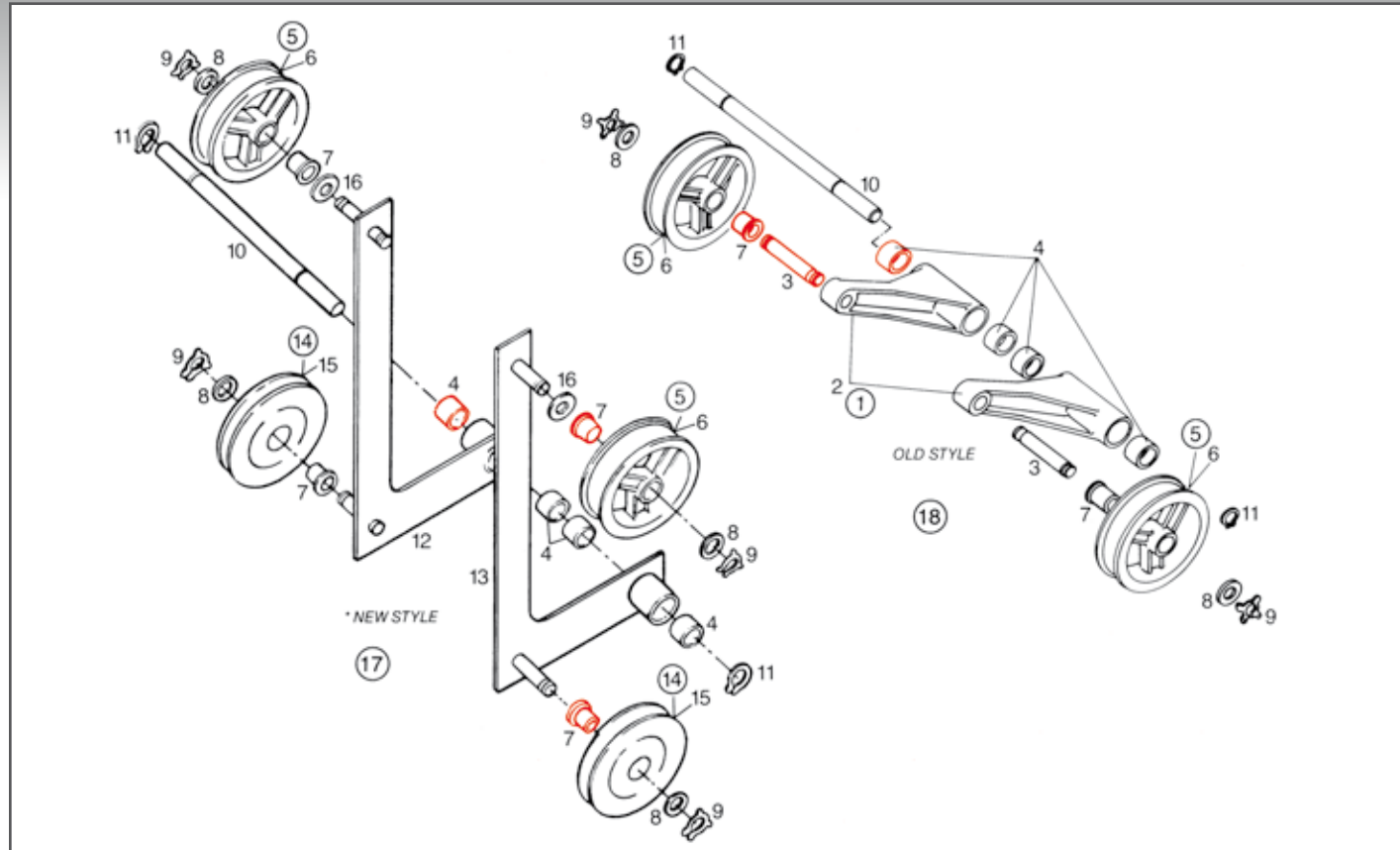
- Forces created by 40 lbs. Lift plus additional moments X frictional coefficients of surfaces > weight of ball
- Heavy lane oil conditions cause frictional coefficients of the rubber belt and up rails to drop significantly.
- Poor lubrication decreases effective weight of ball lift by preventing it from pivoting freely.
- Hydraulic sock which dampens the drop of the lift also reduces the effective weight of the lift. As the ball gets half way up the rails, the rails curve away from the lift. The lift must lower itself down further against the rails to maintain the lifting force of the ball will idle. The shock absorbs a significant amount of this required force and the ball starts idling. It is more difficult to overcome the idling once it has started. Typically the ball must start again from the bottom.
- Effective lifting forces and coefficients of friction both drop daily because of no maintenance, no lubrication, and heavy lane oiling.



BELT TENSIONER ASSEMBLY - OLD VERSION

ITEM	PART NUMBER	DESCRIPTION
1	000021423	Collar 5/8 X 1 1/8 X 1/2
2	807357040BG	Screw-Stso5/16-18 X 1/4 K (Bag 10)
3	000026031	Spring
4	000029605	Shaft-Pivot
5	000029606	Shaft-Pivot-Short
6	000029659	Hanger Arm Asm
7	000029659	Hanger Arm Asm
8	900110081BG	Bearing Sl .628 X .878 X 1/2 (Bag 5)
9	070011106	Spring Extension

ITEM	PART NUMBER	DESCRIPTION
10	070011109	Spring Clip
11	070011131	Pulley Weld
12	070011133	Shaft
13	070011148	V Belt
14	701320045BG	Bearing Th .628 X 1 X 1/8 (Bag 10)
15	807257060BG	Screw Stcp 5/16-18 X 3/8 (Bag 10)
16	900210101BG	Bearing Fl Bz .628 X 5/8 (Bag 5)
17	919005600BG	Ring-Ret. 5100-62 (Bag 10)
18	070011132	Belt Tensioner Assembly



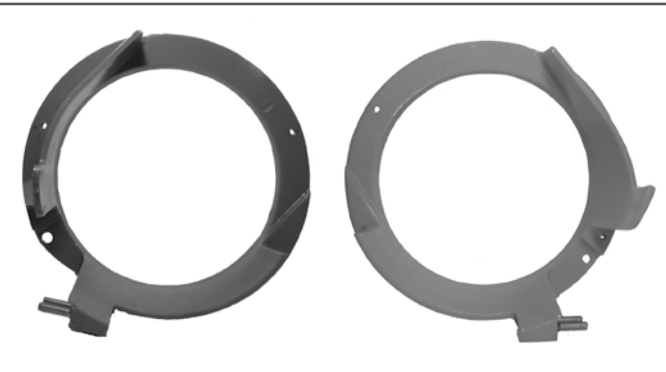
BELT TIGHTENER ASSEMBLY

ITEM	PART NUMBER	DESCRIPTION
1	070011523	BELT TIGHTENER RH
2	070011524	BELT TIGHTENER LH
3	070002072	Shaft-Idler
4	900112121	Bearing SI .753 X 3/4 Lg
5&6	000021408	Idler Pulley Asm
7	900208161BG	Bearing FI .503 X .875 X 1 (Bag 5)
8	948975172BG	1/2 Uss Wrought Washer Type A (Bag 10)
9	963600002BG	Washer-X 1/4 9000-16 (Bag 10)

* New style first used on Serial No. 151326

ITEM	PART NUMBER	DESCRIPTION
10	000029603	Shaft
11	919005800BG	Ring-Ret. 5100-75 (Bag 10)
12	070011524	Belt Tightener Assy Lh X Wide
13	070011523	Belt Tightener Assy Rh X Wide
14	070011525	Idler Sheave Assembly
15	070011526	Idler Sheave Belt Ti Obsolete
16	701316041BG	Bearing Th .5100 X 1 X 1/16 (Bag 10)
17	070011810	Belt Tightner Pbl

URETHANE DOOR RING LH & RH



Features:

- Eliminates ball scars and damages resulting from ball on metal contact
- Made of urethane polymer, smooth and strong material
- Designed with thicker cross sections and flanges for extra strength and stiffness
- Flange protects ball from kickback edges
- Inserts cast into part to make installation easier
- Re-enforced ribbing support guard
- Clearance for lift arm

URETHANE DOOR RING LH (ODD)

Product Code 070011641

URETHANE DOOR RING RH (EVEN)

Product Code 070011642

GRIPPER KIT & GRIPPER REPLACEMENT PARTS

Gripper PBL kit
Product Code 610049510

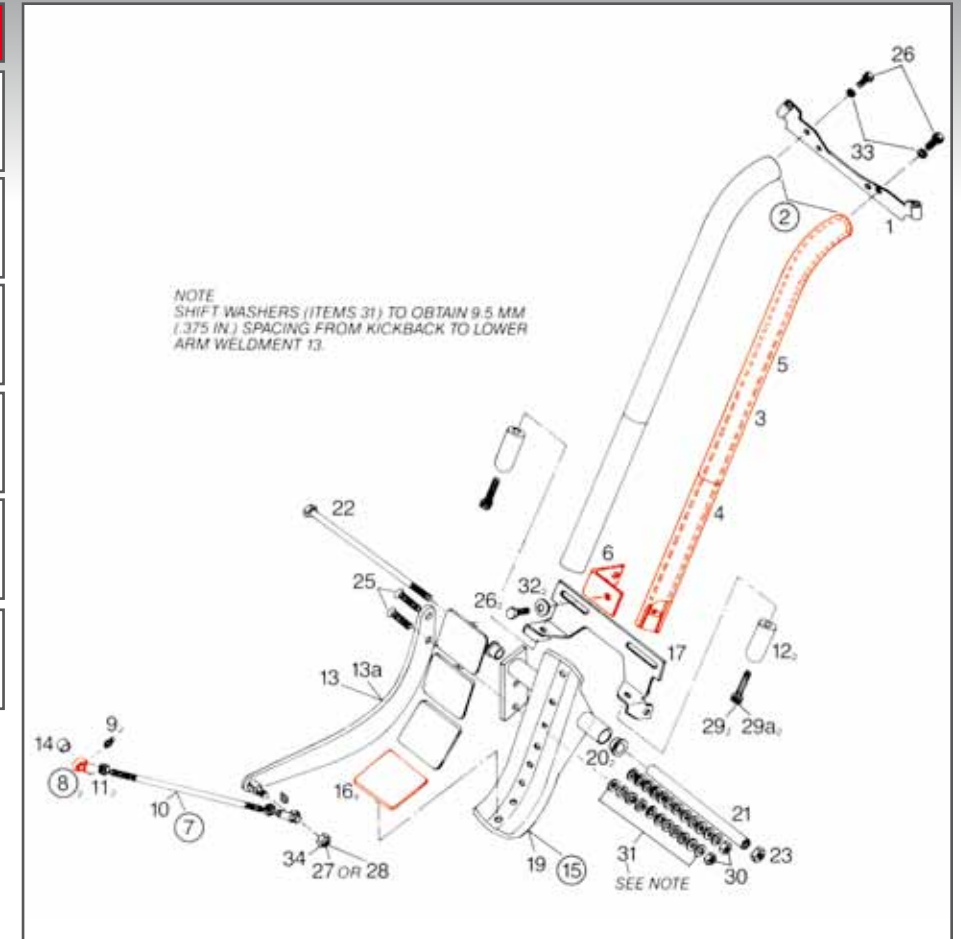
Thimble
Product Code 088001230

Clear Rail Cover (Lower)**
Product Code 088001231

Black Rail Cover (Upper)
Product Code 088001232

Ball Lift Belt
Product Code 088001233

Adjustable Lift Support
Product Code 000024606



TRACK RAIL ASSEMBLY

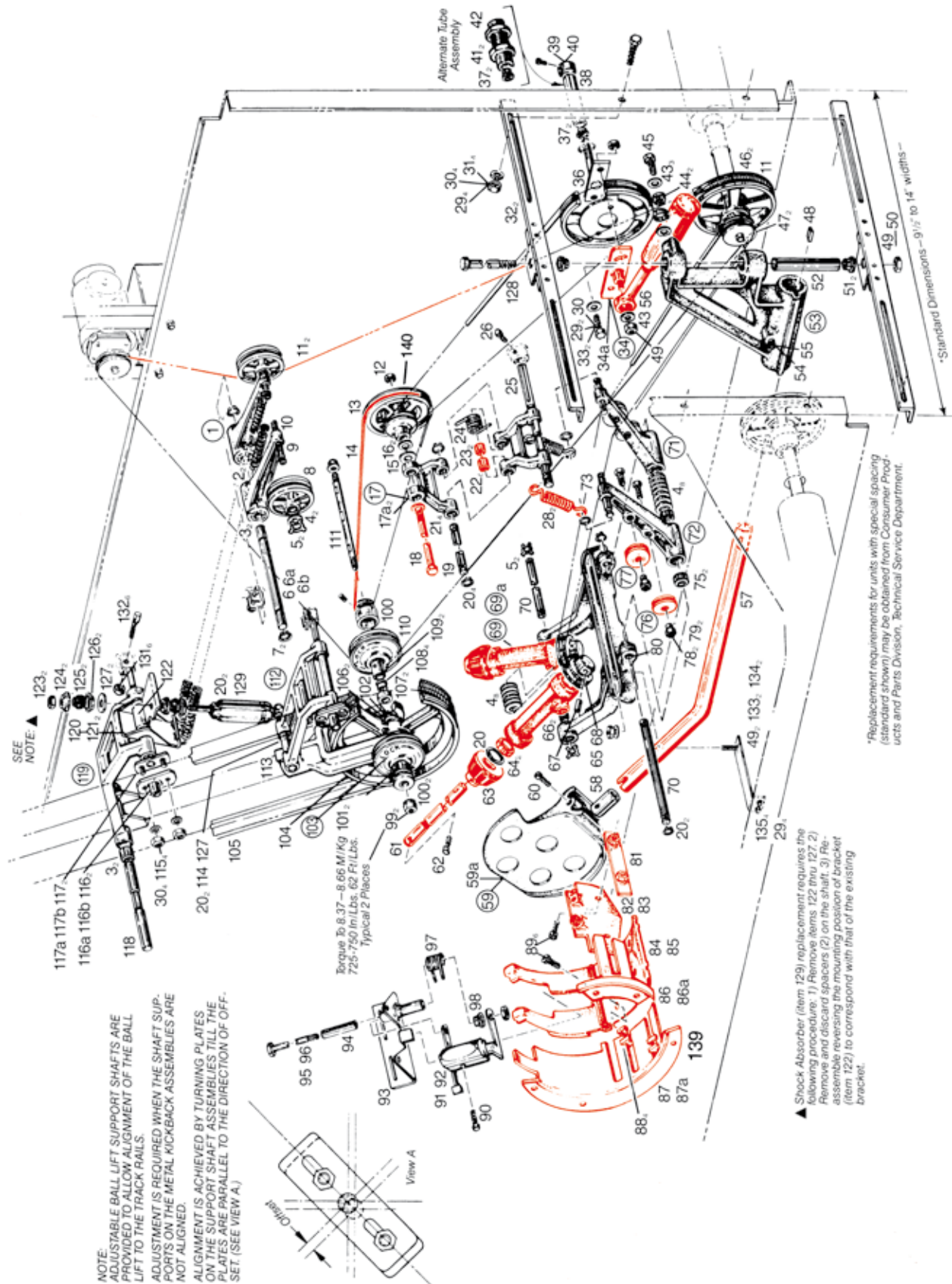
ITEM	PART NUMBER	DESCRIPTION
1	000021813	Wiper Support
2	000024663	Cover-Track-Upper
	070011440	Track Cover Lower
	000024666	Track Rail Weld
3	000024663	Cover-Track-Upper
3A	088001232	Black Rail Cover
4	070011440	Track Cover Lower
4A**	088001231	Clear Rail Cover
5	000024666	Track Rail Weldment
6	000024668	Track Supt Brkt
7	090005259	Rod Assy
8	000026446	Rod End
8A	090005250	Rod End
9	710502010	Fittng-Heim Lu640
11	835566002	3/8-24 Hex Stl Thin Nut
12	070011018	Ball Guide
12A	088001230	Thimble
13*	070011375	Lever Arm Assembly-Std (See Below For Parts And Quantities)
15	070011413	Lift Assembly-Trk Assembly Pbl

ITEM	PART NUMBER	DESCRIPTION
16	090002024	Liner
16A	088005505	Stick N Slick Cup Liner
17	070008191	Brkt-Ball Lift
19	070011411	Weld-Lft Arm-Trk Assembly
20	900210161BG	Bearing FI Bz .628 X 1 (Bag 5)
21	070011063	Shaft
22	809865992BG	Screw Hexhdcp 3/8-16 X 9 (Bag 10)
23	844065002BG	Nut-Strv 3/8-16 (Bag 10)
25	808857280BG	Screw Fsh5/16-18 X 1 3/4 (Bag 10)
26	809865165BG	Screw-Hex 3/8-16 X 1 (Bag 10)
27	809865205BG	Screw-Hex 3/8-16 X 1 1/4 (Bag 10)
28	809865325BG	Screw-Hex 3/8-16 X 2 (Bag 10)
29	810265400BG	Screw-Schd3/8-16 X 2 1/2 (Bag 10)
29A	810365401BG	Screw-Shc Lk 3/8-16 X 2 1/2 (Bag 10)
30	844057002BG	5/16-18 Stover Locknut (Bag 10)
31	948767132BG	Washer 13/32 X 13/16 X 1/16 (Bag 10)
32	958584002	Washer-Shkprf
33	951164002BG	Washer-Lk-Split 3/8 (Bag 10)
34	838866002BG	Nut-Hex-Esn-Tn 3/8-24 (Bag 10)

* Order 070 011 218 - Lever Arm and 838 866 002 - Hex Nut x 2.

Note: In some older installations the Track Tube Assemblies may require fine thread bolts listed below as substitutes: Substitute 26-809866165 Screw, hex head 3/8-24-1; substitute 29A-810-366-401 Soc. Head Cap Long Loc 3/8-24 x 2 1/2; Items 27 or 28 are replaced by an ESNA Nut after 1-78; Part #838-866-002-Nut, ESNA Hex Thin 3/8-24 Item 34

** 088001230 Thimble must be used when installing 088001231, Clear Rail Cover.



KICKER BALL LIFT

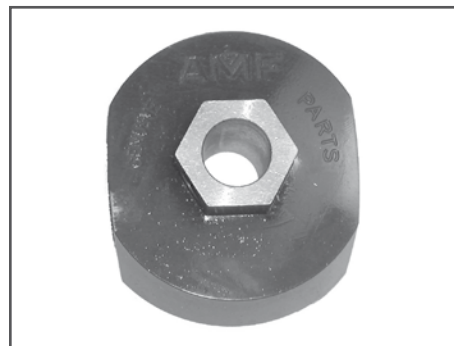
ITEM	PART NUMBER	DESCRIPTION	ITEM	PART NUMBER	DESCRIPTION
1	000021409	Belt Tightener Assembly (OBS)	75	900108081	Bearing SI Bz .503 X 1/2Lg
2	000024673	Spring-Dist	76	000021417	Idler Roller Assembly
3	900112121	Bearing SI .753 X 3/4 Lg	77	000022096	Idler Asm Elev
4	948975172BG	Wshr-17/32X1 1/16 (Bag 10)	78	809849145BG	Scr-Hx 1/4-20X7/8 (Bag 10)
5	963600002BG	Wshr-X 1/4 9000-16 Bag(10)	79	000022173	Nut-Special
6	000029603	Shaft	80	000029638	Base-Roller
6A	000021435	Shaft Special	81	000024745	Nut Plate Asm
7	919005800BG	Ring-Ret. 5100-75 (Bag 10)	82	000029959	Pad-Filler Assembly
8	000021408	Idler Pulley Asm	83	000025638BG	Bumper Rubber-3/16 (Bag 10)
9	070002072	Shaft-Idler	84	000024678	Filler Assembly-Front
10	070011523	BELT TIGHTENER RH	85	000024628	Pad-Rubber
	070011524	BELT TIGHTENER LH	86	000024624	Segment-Rear Rh (Odd)
11	000022099	Belt-V Pitch Lt 1133	86A	000024623	Segment-Rear Lh (Even)
12	844073002BG	Nut-Stvr-Lk 1/2-13 (Bag 10)	87	000024625	Segment-Front Rh (Odd)
13	000024599	Adj.Speed Sheave-Rudder Arm	87A	000024626	Segment Front Lh (Even)
14	000027710	Belt-V-36 Outside	88	000024618	Nut-Carriage Assembly
15	000027264	Spacer	89	808957160BG	Screw 5/16-18X1ny (Bag 10)
16	701320045BG	Brg Th .628X 1 X1/8 (Bag 10)	90	821438082	Screw, Hex Head Slotted (Type Ab) #10 X 1/2
17	070011132	Belt Tensioner Asy	92	000024612	Pad-Starter
17A	000029659	Hanger Arm Asm	93	000024676	Brkt-Lower Track
18	000029608	Shaft-Sheave	94	000024634	Shaft
19	000029606	Shaft-Pivot-Short	95	000024681	Screw-Hex Hd Cap
20	919005600BG	Ring-Ret. 5100-62 (Bag 10)	96	839549002BG	Nut-Fix-Tk 1/4-20 Ht (Bag 10)
21	900110081BG	Brg SI .628X.878X1/2 (Bag 5)	97	000029612	Spring Torsion
22	900110141BG	Brg SI .628X.878X7/8 (Bag 5)	98	000024631	Bearing Fl .752 X .877 X .151
23	900110161BG	Bushing .625X.857X1.0 (Bag 5)	99	856070002BG	Nut-Flanged 7/16-20 (Bag 10)
24	000029609	Spring Torsion	100	000024806	Sheave
25	000029605	Shaft-Pivot	101	807265080BG	Scr-Stso3/8-16X1/2Cp (Bag 10)
26	806265160BG	Scr-Stsq 3/8-16X1 Cp (Bag 10)	103	000024811	Pulley Assembly Rh (Odd)
28	000029601	Spring	104	000024661	Pulley
29	844057002BG	Nut Stvr Lk-5/16-18 (Bag 10)	105	088001233	Ball Lift Belt
30	948761112BG	Washer 11/32X11/16X1/16 (Bag 10)	106	806265160BG	Scr-Stsq 3/8-16X1 Cp (Bag 10)
31	809857165BG	Scr-Hx 5/16-18X1 (Bag 10)	107	610905704	Strt Bor Brng & Spcr Kit
32	070011319	Support Rudder Arm	108	070006748	Spacer
33	809857205BG	Scr-Hx 5/16-18X1 1/4 (Bag 10)	109	090003401	Clutch Race-With Slot
34	000022092	Crank Plate Weldment	110	000024812	Pulley Assembly Lh
36	000029695	Shaft Weld-Crank	111	610900709	Strt Shft & Spcer Kit Lowr
37	000021427	Bearing Fl .629 X .878 X 1/8	112	000024651	Link Assembly
38	000029696	Tube Adjustment Assembly	113	000024659	Yoke Lower
39	000021423	Collar 5/8 X 1 1/8 X 1/2	114	000029660	Shaft
40	807249040BG	Screw 1/4-20X1/4 Cp (Bag 10)	115	840057002BG	Nut-Flex Thin5/16-18 (Bag 10)
41	530029596	Nut-Locking Used - (OBS)	116	070006320	Shaft Assy Adj 9 1/2" To 11" Spacing
42	000021428	Tube Adjusting Assy	116A	070006329	Shaft Assy Adj 11" To 12 5/8" Spacing
43	000029611BG	Unibal Brg Washer (Bag 10)	117	070006325	Shaft Assy Fixed 9 1/2" To 11" Spacing
44	000029614	Heim Unibal	117A	070006328	Shaft Assy Fixed 11" To 12 5/8" Spacing
45	809865245BG	Scr-Hx 3/8-16X1 1/2 (Bag 10)	118	000028737	Shaft
46	070002097	Sheave-Carpet Drive	119	000024720	Link Assembly Upper
47	000028865	Belt-V Pitch Lt 34 5	120	000024716	Spring Holder
48	907000900BG	Key-Hy Pro* 910 (Bag 10)	121	900112203BG	Brg SI.753X1x 1 1/4-Brnz (Bag 5)
49	839665002BG	Nut-Fix 3/8-16 (Bag 10)	122	070011289	Brkt Shock Absorber
50	802865996BG	Scr-Hhc3/8-16X9 1/2 (Bag 10)	123	831566002BG	Nut- Hex 3/8 - 24 (Bag 10)
51	900212201BG	Brg Fl.753X 1 X 1.25 Bag(5)	124	000028057	Retainer Cush Guide
52	000024615	Shaft	125	000027996	Cushion-Rubber
53	070011067	Rudder Arm Supt	126	000027998	Retainer
54	000024616	Clamp Stud	127	948983212BG	Wshr-21/32X1 5/16 (Bag 10)
55	835573002BG	Nut-Hx-Jam 1/2-13 Cd (Bag 10)	128	000029600	Belt-V-33 1/2 Out
56	000028540	Sprngloaded Drive Lnk Asy	129	000029661	Shock Absorber
57	000024614	Arm-Rudder	130	070011323	Shock Absorber Assy
58	000024622	Plug Rudder Arm	131	835565002	3/8 X 16 Hex Nut - Thin
59*	070011408	Paddle-Kicker Roller	132	000024610	Stud-Clamp
60	809865405BG	Scr-Hx 3/8-16X2 1/2 (Bag 10)	133	946400002BG	Wshr-25/64X23/32 (Bag 10)
61	000022077	Roller Shaft	134	000029607	Brkt-Ball Elev
62	807257080	Screw-Stcp 5/16-18 X 1/2 - (OBS)	135	809857125BG	Scr-Hx 5/16-18X3/4 (Bag 10)
63	000022080	Rubber Roller	136	070004813	Kicker Ball Lift Assembly (OBS)
64	000024679	Bearing Bl .625 X 1.375	138	000028540	Sprngloaded Drive Lnk Assembly
65	700107370	Adhsve-Lkte #290 - (OBS)	139	000028362BG	Bumper-Urethane Bag(10)
66	000025621	Bearing SI .502 X .689 X 2.495	140	000024599	Adjustable Sheave
67	913437200	Pin-Sprng .187 X 1 1/4			
68	000022082	Pulley-Roller Drive			
70	000029610	Shaft-Roller Base			
71	000021407	Idler Arm Assembly Rh (Odd)			
72	000022218	Idler Arm Assembly Lh (Odd)			

* Order 000 024 622 - Plug Rudder Arm and 070 011 408 - Paddle-Kicker Roller.

KICKER ROLLERS FOR EVERY CONDITION

All of AMF's Kicker Rollers, except the Grey Roller, are made of soft, abrasion-resistant urethane, which is the perfect balance of strength and resilience. All rollers include a larger hexagonal hub, which may be held with a wrench for easy installation and is less likely to strip the set-screw hole. Each kicker roller has been tested by AMF mechanics and in hi-lineage centers to ensure dependable performance.

RED KICKER ROLLER



Features a double concave cam surface that allows the all to fall lower and get booted into the return slot.

Product Code 070011429

GREEN KICKER ROLLER



Offers a greater contact area that will pull the ball into the ball door.

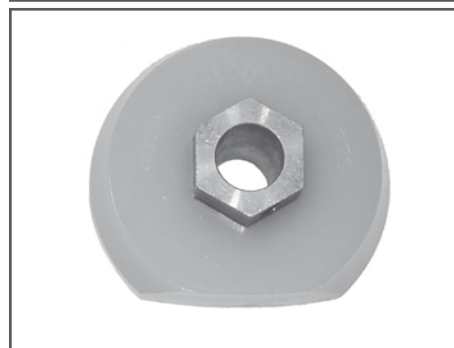
Product Code 070011636

GRAY KICKER ROLLER (NOT SHOWN)

With it's round design, this rubber roller is best suited for less oily conditions.

Product Code 000022080

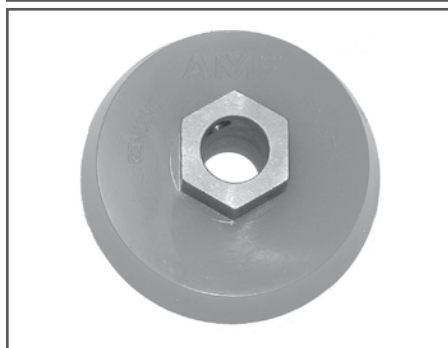
YELLOW KICKER ROLLER



Features a single concave cam surface, giving you the advantages of the red roller but with more material for better durability.

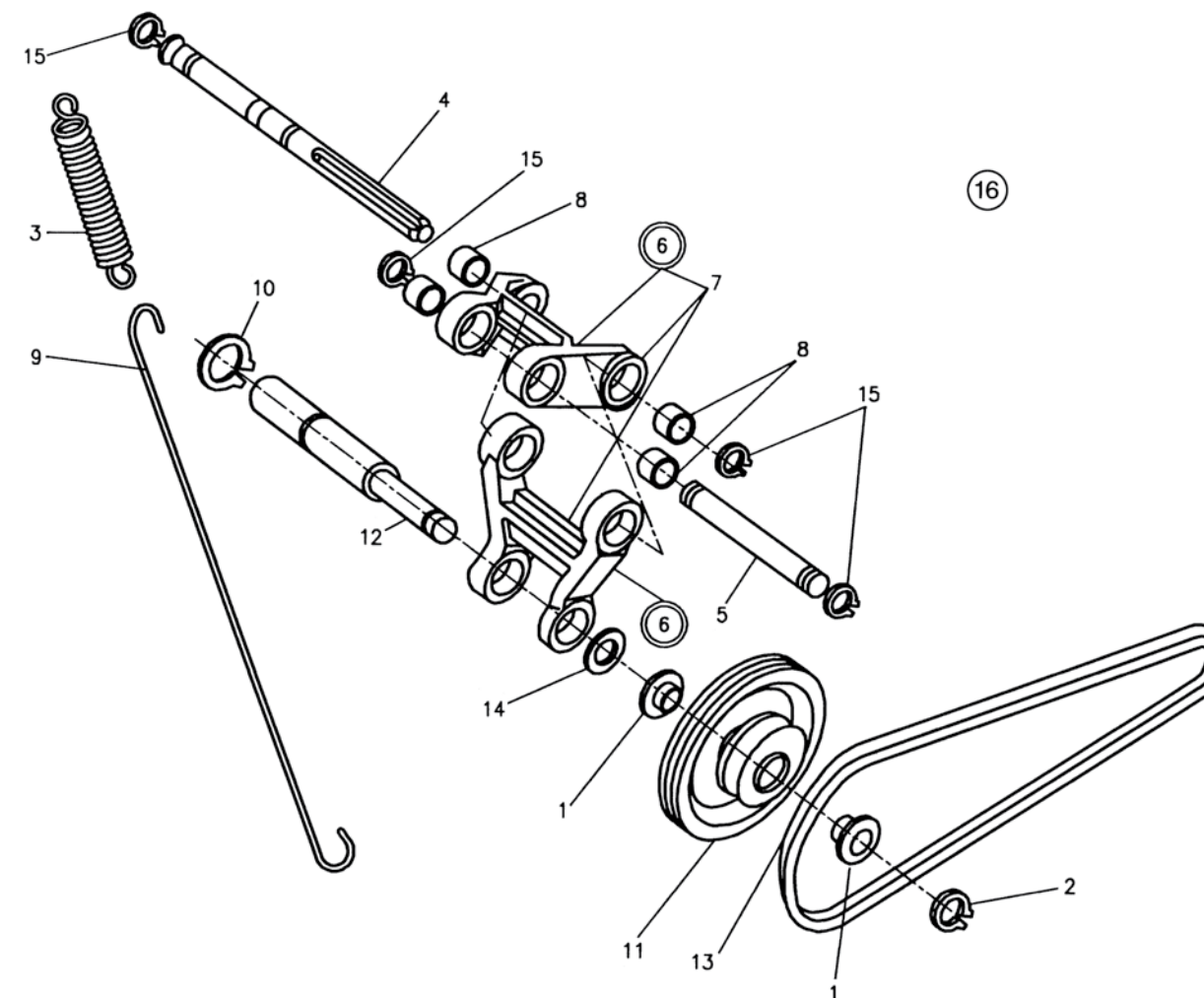
Product Code 070011635

ORANGE KICKER ROLLER



Features a round and soft design that offers good grip.

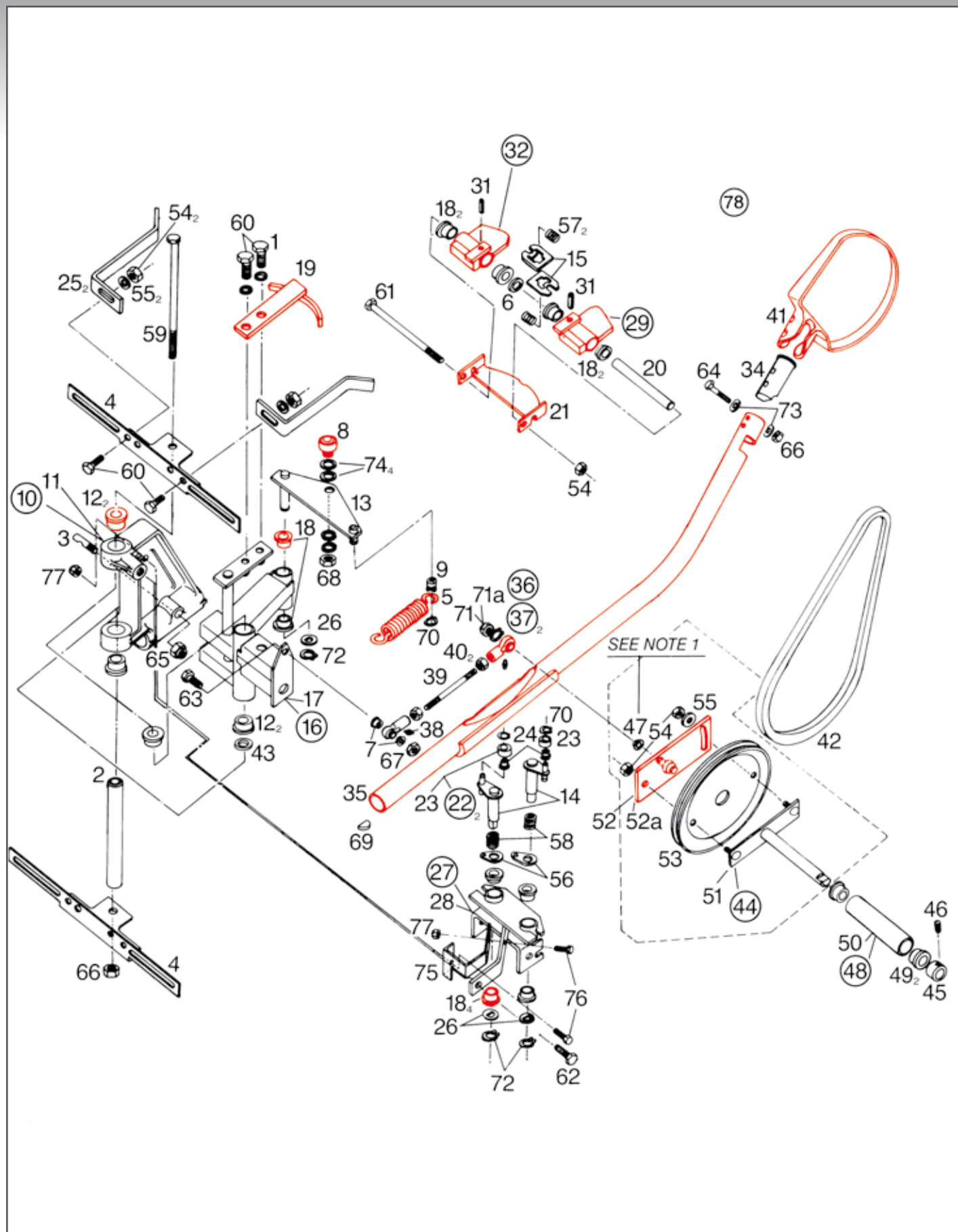
Product Code 070011435



PBL BELT TENSIONER ASSEMBLY - NEW VERSION

ITEM	PART NUMBER	DESCRIPTION
1	900208120	Bearing-Flange
2	919005500BG	Ring-Ret .5100-50 (Bag 10)
3	000026031	Spring
4	000029605	Shaft-Pivot
5	000029606	Shaft-Pivot Short
6	000029659	Hanger Arm Assembly
7	000029659	Hanger Arm Asm
8	900110081BG	Bearing SI .628 X .878 X 1/2 (Bag 10)

ITEM	PART NUMBER	DESCRIPTION
9	090002016	Extension Spring
10	919005900BG	Ring-Ret .5100-87 (Bag 10)
11	070011131	Pulley Weld
12	090002014	Shaft
13	070011148	V Belt
14	000027264	Spacer
15	919005600BG	Ring-Ret .5100-62 (Bag 10)
16	090002015	Belt Tensioner Assembly

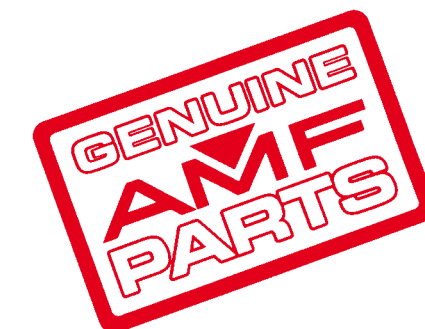


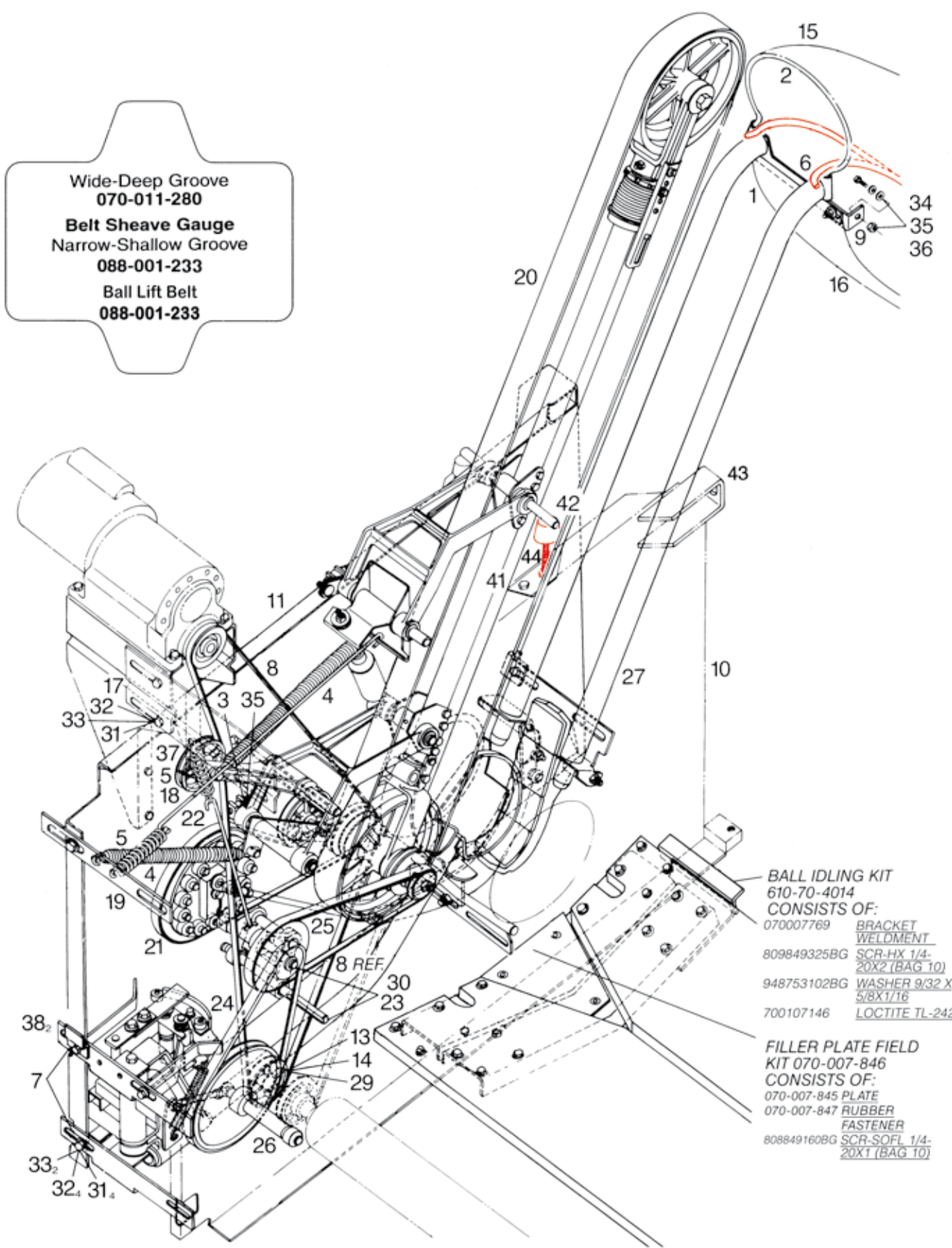
LIGHT BALL SENSOR ASSEMBLY

ITEM	PART NUMBER	DESCRIPTION
1	000022869BG	Washer (Bag 10)
2	000024615	Shaft
3	000024616	Clamp Stud
4	070011319	Support-Rudder Arm
5	000026031	Spring
6	000027264	Spacer
7	000029611BG	Unibal Bearing Washer (Bag 10)
8	070006728	Cam Follower
9	070011040BG	Roller-Ratchet Arm (Bag 10)
10	070011066	Rudder Arm Supt And Assy
11	070011067	Rudder Arm Supt
12	900212201BG	Bearing Fl .753 X 1 X 1.25 (Bag 5)
13	070011068	Link Weld
14	070011626	Trip Arm Assembly
15	070011077	Trip Finger
16	070011080	Rudder Drive Assembly
17	070011079	Rudder Drive Weld
18	900208091BG	Brg Fl.503X.690X9/16 Bag(5)
19	070011418	Trip-Cam
20	070011098	Sleeve
21	070011099P	Cam Painted
22	070011105	Roller Assembly
23	070011096	Roller
24	900205081BG	Bearing Fl .315 X .44 X 1/2Lg (Bag 5)
25	070011107	Trip Arm
26	070011108	Washer
27	070011110	Cam Sensor Assembly
28	070011100	Cam Sensor Weld
29	070011407	Rudder Cam Assembly Lh (Odd)
31	913448120BG	Pin-Sprng .250 X 3/4 (Bag 10)
32	070011406	Rudder Cam Assembly Rh (Even)
34	070011121	Plug
35	070011122	Rudder Arm
36	070011123	Rod Assembly
36A	090005258	Rod Assy
37	000026446	Rod End
37A	090005250	Rod End
38	710502010	Fittng-Heim Lu640
39	070011124	Rod
40	835566002	3/8-24 Hex Stl Thin Nut

* Retaining ring and spacer in this application only replaced by item 71a in January 1978

ITEM	PART NUMBER	DESCRIPTION
41	070011146	Paddle
42	070011147	V-Belt Gates#1380
43	070011151	Spacer
44	070011178	Crank Assembly
45	000021423	Collar 5/8 X 1 1/8 X 1/2
46	807357040BG	Screw-Stso 5/16-18 X 1/4 (Bag 10)
47	000029611BG	Unibal Bearing Washer (Bag 10)
48	000029696	Tube Adjustment Assembly
49	000021427	Bearing Fl .629 X .878 X 1/8
50	000029697	Tube-Adjustment
51	070011092	Crank Shaft Weld
52	070011225	Weld-Crank Adj Plate
52A	070011225	Weld-Crank Adj Plate
53	070011097	Crank Pulley
54	844057002BG	5/16-18 Stover Locknut (Bag 10)
55	948761112BG	5/16 Wrought Washer (Bag 10)
56	070011273	Tab
57	722971522	Sprmg-Comp .480D X 7/8
58	722985512	Spring-Compression
59	802865996BG	Screw-Hhc3/8-16 X 9 1/2 (Bag 10)
60	809857165BG	Screw-Hex 5/16-18 X 1 (Bag 10)
61	809857880BG	Screw-Hex 5/16-18 X 5 1/2 (Bag 10)
62	809865165BG	Screw-Hex 3/8-16 X 1 (Bag 10)
63	809865205BG	Screw-Hex 3/8-16 X 1 1/4 (Bag 10)
64	809865405BG	Screw-Hex 3/8-16 X 2 1/2 (Bag 10)
65	831573002BG	Nut-Std Hex 1/2-13 (Bag 10)
66	839565002BG	3/8-16 Hex Nylon Lock Nut (Bag 10)
67	840065002BG	Nut-Fix-Tn 3/8-16 (Bag 10)
68	844070002BG	Nut-Str-Lk 7/16-20 (Bag 10)
69	907000900BG	Key-Hy Pro 910 (Bag 10)
70	919005200BG	Ring-Ret. 5100-31 (Bag 10)
71*	919005300BG	Ring-Ret. 5100-37 (Bag 10)
71A	838866002BG	Nut-Hex-Esn-Tn 3/8-24 (Bag 10)
72	919005500BG	Ring-Ret. 5100-50 (Bag 10)
73	948767132BG	Washer 13/32 X 13/16 X 1/16 (Bag 10)
74	949100002BG	Washer 59/64 X 15/32 (Bag 10)
75	070011299	Brace-Sensor
76	809849145BG	Screw-Hex 1/4-20 X 7/8 (Bag 10)
77	844049002BG	1/4-20 Lock Nut (Bag 10)
78	070011120	Light Ball Sensor Assy





POSITIVE BALL LIFT

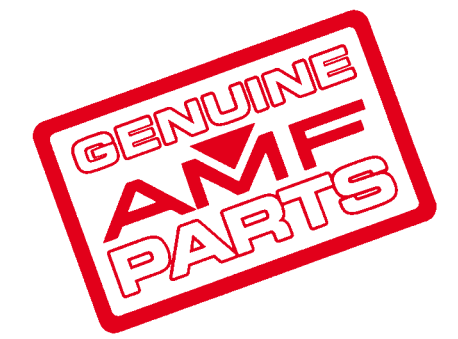
ITEM	PART NUMBER	DESCRIPTION
1	000021813	Wiper Support
2	000021814	Ring
3	000024610	Stud-Clamp
4	000024673	Spring-Dist
5	000026031	Spring
6	000029629	Track Weld-Downsweep
7	000029910	Shim-3/8 Slot X 1 1/80d
8	000022099	Belt V-Pitch Lt 1133 A112
9	070004654	Brkt-Track Support
10	090004126	Kickback Rh/Rh
11	090004129	Kickback Lh/Lh
12	070011120	LIGHT BALL SENSOR ASSEMBLY
13	070002034	Roller Assembly-Rear
14	070002097	Sheave-Carpet Drive
15	070004669	Cloth-Ball Wiper
16	070004670	Dust Trap
17	530707129	Tie Plate Assy-Used - (OBS)
18	070011034	Extension Rod
19	070011035	Strap
20	070011052	Ball Lift Assembly
21	070011064	V-Belt Gates #1450
22	070011106	Spring Extension
23	070011132	Belt Tensioner Assembly
24	070011147	V-Belt Gates #1380
25	070011148	V-BELT #1400
26	070011178	Crank Assembly
27	070011414	Track Rail Assembly-Pbl
29	806265160BG	Screw-Stsq 3/8-16 X 1 Cp (Bag 10)
30	807265060	3/8-3/16 X 3/8 Socket Set,Cup Pt

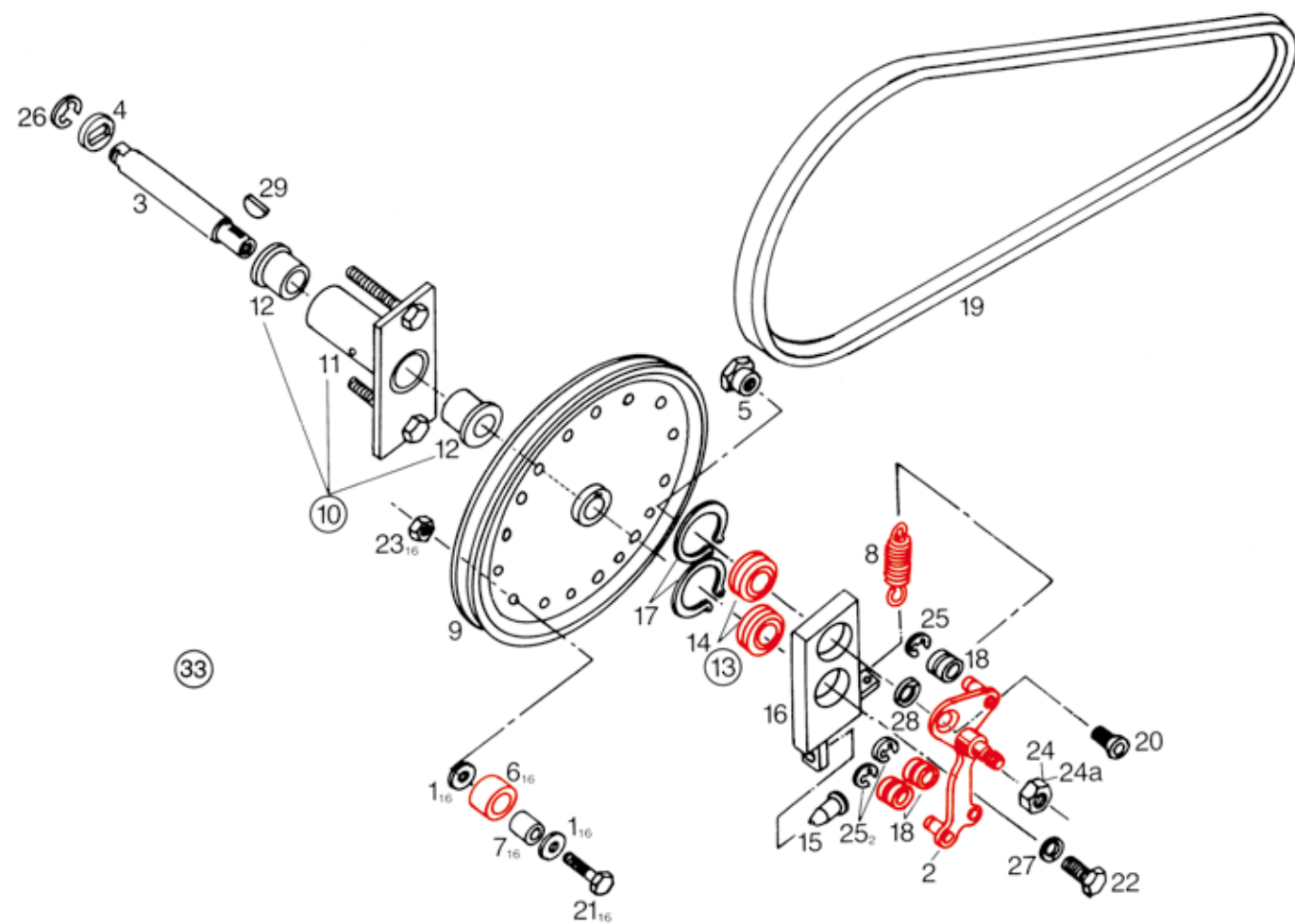
ITEM	PART NUMBER	DESCRIPTION
31	809857165BG	Screw-Hex 5/16-18 X 1 (Bag 10)
32	844057002BG	5/16-18 Stover Locknut (Bag 10)
33	948761112BG	5/16 Wrought Washer (Bag 10)
34	809865285	Screw-Hex 3/8-16 X 1 3/4
35	844065002BG	Nut-Stvr 3/8-16 (Bag 10)
36	948767132BG	Washer 13/32 X 13/16 X 1/16 (Bag 10)
37	070011810	Belt Tightner Pbl
38	070011310	Supt-Be Mtr Guard
39	000024699	Guard Obsolete (OBS)
40	070011401	Guard Weld
41	070004642	Brkt-Stop-Ball Lift
42	000024641	Stop Bumper
43	000021792	Washer Frame
44	835558002BG	Nut-Hex-Jam 5/16-24 (Bag 10)
Not Shown	612070013*	Ball Lift Pressure Kit
	610704098	Pbl Template & Drill Bits (Purchase One For Entire Center When Converting To Pbl Or Pbl Plus)
	610704097**	82/70 Pbl Plus Conversion Kit
	610700178**	82/30 Pbl Plus Conversion Kit (OBS)
	610704106	82/70 Pbl Conversion Kit With Light Ball Sensor
	070011642	Urethane Door Ring Rh (Odd)
	070011641	Urethane Door Ring Lh (Even)
	070011006	Steel Door Ring Rh (Odd)
	070011005	Steel Door Ring Lh (Even)

* Kit includes: Plate - 070 011 832, Turn Buckle - 730 058 091, Chain - 705 890 108, Spring - 000 021 204, Strap - 070 011 035, Jam Nut - 835 565 002.
** The PBL Plus does not include a Light Ball Sensor.

SPECIAL TOOLS - BALL LIFT

792505005	Spring Puller
793511045	Spanner Wrench
792514040	Ball Lift Bearing Installation Tool
792514041	Ball Lift Bearing Removal Tool



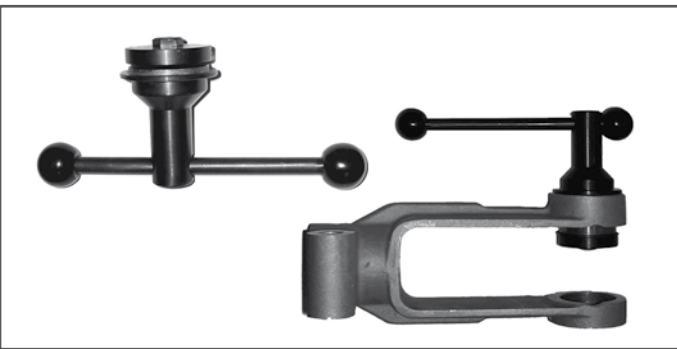


RATCHET ASSEMBLY

ITEM	PART NUMBER	DESCRIPTION
1	000026865BG	Washer (Bag 10)
2	070011217	Weld-Rcht Arm Bl Lft
3	070011027	Shaft
4	070011028BG	Washer (Bag 10)
5	070011029	Nut
6	070011030BG	Roller (Bag 10)
7	070011031BG	Spacer (Bag 10)
8	070011032	Spring
9	070011033	Pulley-Ratchet
10	070011036	Bearing & Housing Assembly
11	070011009	Housing Weldment
12	900212161BG	Bearing Fl .753 X 1.003 X 1 (Bag 5)
13	070011037	Crank Assembly
14	000024679	Bearing Bl .625 X 1.375
15	070006142BG	Bumper (Bag 10)
16	070011013	Crank Weldment
17	919000600BG	Ring-Ret. 5000-137 (Bag 10)
18	070011040BG	Roller-Ratchet Arm (Bag 10)

ITEM	PART NUMBER	DESCRIPTION
19	070011064	V-Belt Gates #1450
20	808865140BG	Screw-Soft 3/8-16 X 7/8 (Bag 10)
21	809849205BG	1/4-20 X 1 1/4 Machine Screw (Bag 10)
22	809965125BG	Screw-Hexplk3/8-16 X 3/4
23	839549002BG	Nut-Fix-Tk 1/4-20 Ht (Bag 10)
24	844065002BG	Nut-Str 3/8-16 (Bag 10)
24A	838866002BG	Nut-Hex-Esn-Tn 3/8-24 (Bag 10)
25	919005200BG	Ring-Ret. 5100-31 (Bag 10)
26	919005800BG	Ring-Ret. 5100-75 (Bag 10)
27	948767132BG	Washer 13/32 X 13/16 X 1/16
28	948964142BG	Wash-Pln 3/8 X 7/8 X 3/32 (Bag 10)
29	907000200BG	Key-Hy Pro 404 (Bag 10)
Note: Items Listed Below Are Used To Mount Ratchet Drive Assembly To Side Plate But Are Not Shown		
30	070008212	Spacer
31	844057002BG	5/16-18 Stover Locknut (Bag 10)
32	948767132BG	Washer 13/32 X 13/16 X 1/16 (Bag 10)
33	070011039	Ratchet Assembly

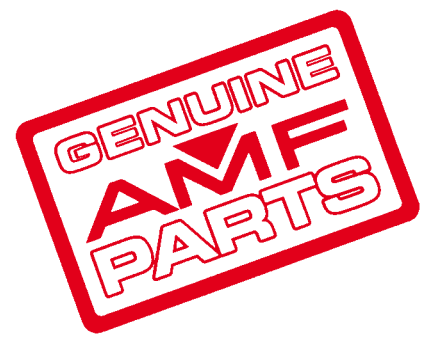
BALL LIFT BEARING INSTALLATION & REMOVAL TOOLS



- Features:
- Safely, quickly & easily service ball lift yokes
 - Leave the wood blocks, vise and hammer out
 - Extend service interval, spend less time performing ball lift maintenance
 - Never again worry about misaligning bearings or breaking aluminum casting

BEARING INSTALLATION TOOL
Product Code 792514040

BEARING REMOVAL TOOL
Product Code 792514041



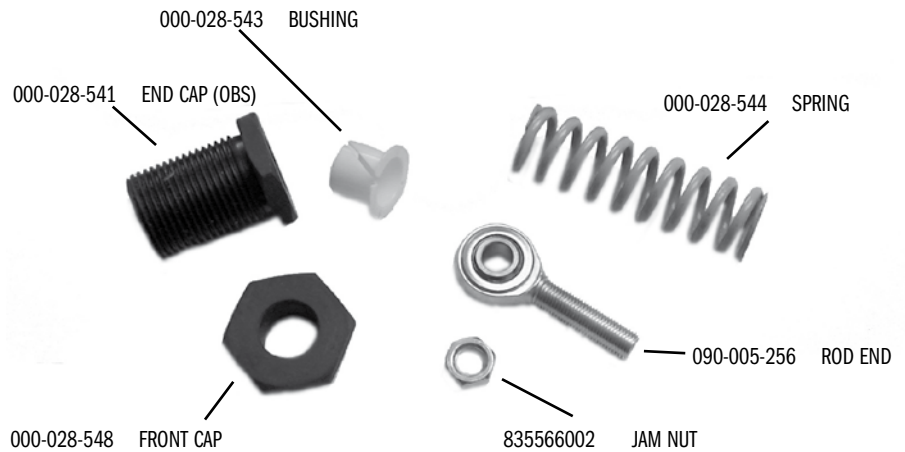
SPRING LOADED DRIVE LINK ASSEMBLY & PBL PLUS CONVERSION KIT

SPRING LOADED DRIVE LINK ASSEMBLY

Features:

- No more leaky hydraulic shocks
- Adjustable spring pressure
- 3 inch springs for low stress and wide range
- Piston is supported at each end
- Fully encased unit for protection
- Fully serviceable

Product Code **00028540**



PBL PLUS CONVERSION KIT



Product Code **610704097**

What is it?

An economical way to convert an 82-70 kicker ball lift system to a positive ball lift system using existing components. The addition of a specially engineered adjustable pulley and shock system to the paddle simplifies the operation of the rudder drive system and increases its reliability. Once initial adjustments are completed, they do not change.

Why do you need it?

To eliminate "Ball Calls" that cause your customers to wait. The PBL Plus kit eliminates all of the problems listed below with kicker systems.

Included in the kit is:

- New Urethane Ball Doors
- New Urethane Paddle
- New Rudder Arm
- New Ratchet Wheel Assembly, Rod and Lift Arm
- New Rudder Drive Link
- New Tensioner
- New Rudder Drive Pulley
- New Lower Ball Lift Mounting Bracket
- Best used with Adjustable Speed Rudder Drive Sheave.
#000024599 (see page 65 for more details)

Key Features:

- Converts a kicker style exit system to a Positive Ball Lift system
- Eliminates much of the conditioner problem in the exit system
- The ball is lifted to the ball lift belt
- Installation requires just a few hours
- No more kickers rollers and belts
- Makes the exit area more accessible
- Reduces ball return calls



WORLDWIDE HEADQUARTERS

8100 AMF Drive - Mechanicsville, VA 23111 - USA - Tel. (804) 569-1000 - Fax: (804) 559-8650 - Toll free 1-866-460-QAMF (7263)

EUROPEAN HEADQUARTERS

Via della Croce Coperta, 15 - 40128 Bologna - Italy - Tel. +39 051.4192.611 - Fax +39 051.4192.602

www.qubicaamf.com - info@qubicaamf.com